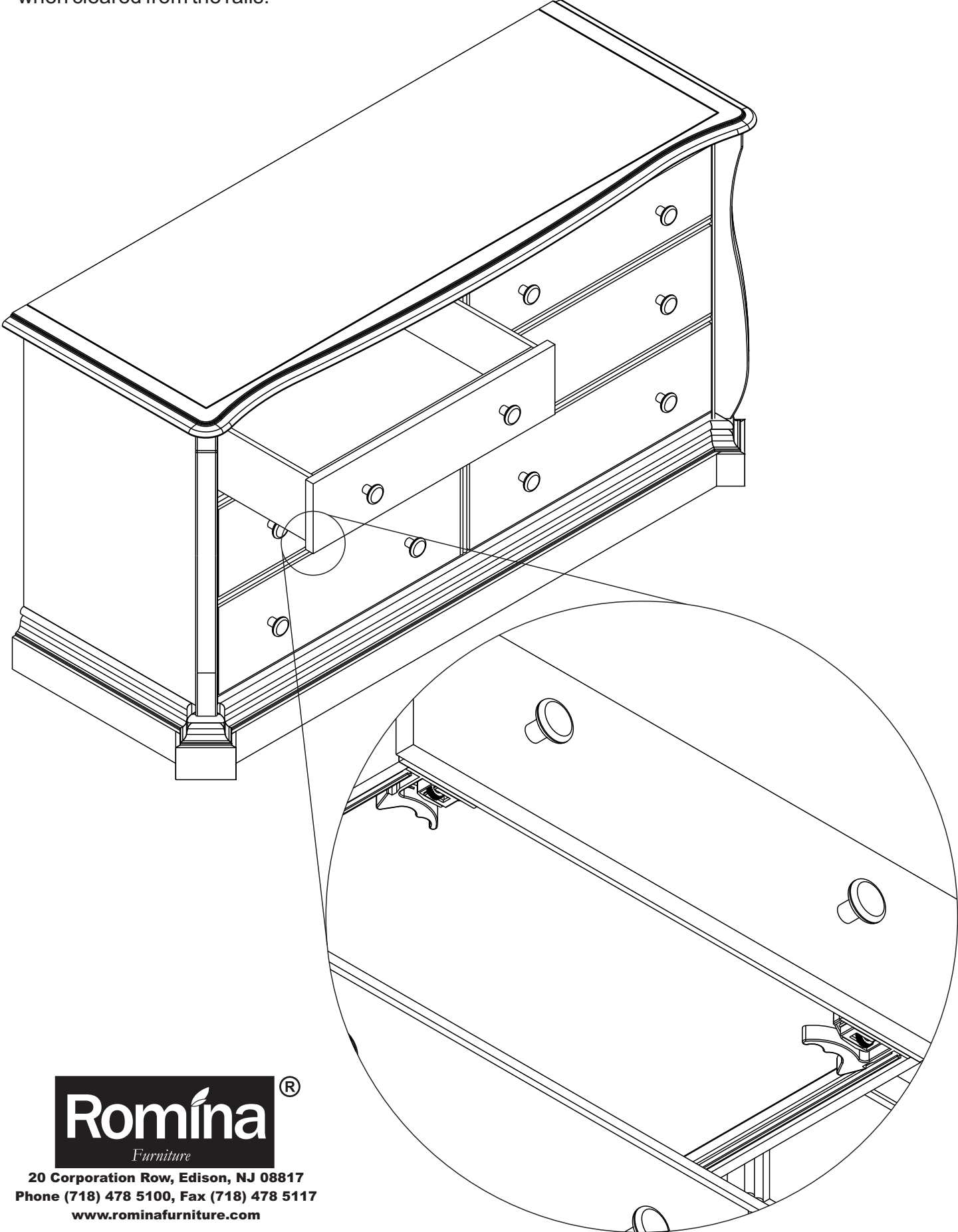


UN-MOUNTING A DRAWER

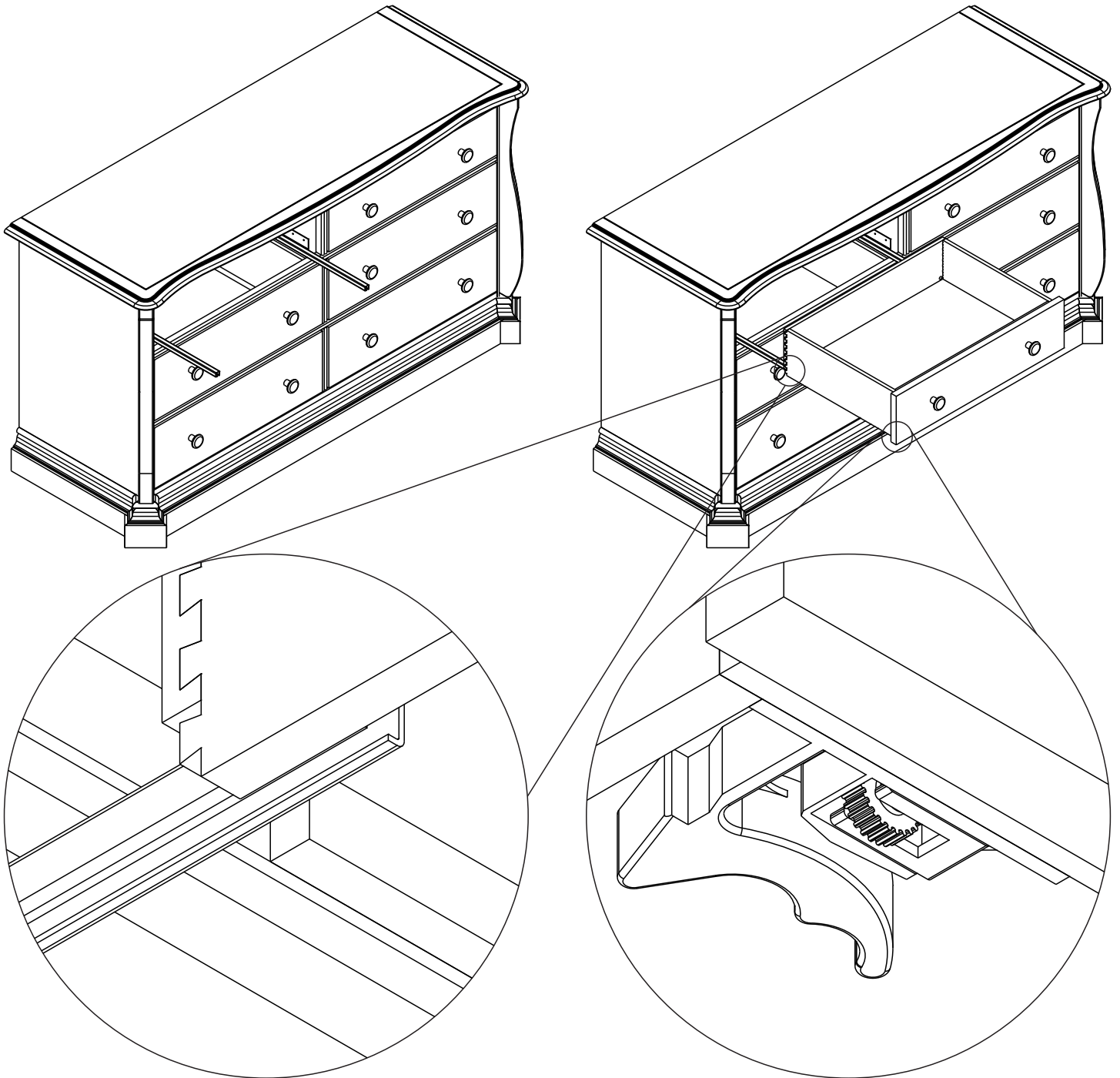
Pull the drawer you want to remove. Please, locate the two trigger-like handles underneath the drawer. While pulling on the triggers, gently pull the drawer towards you. The drawer is released when cleared from the rails.



20 Corporation Row, Edison, NJ 08817
Phone (718) 478 5100, Fax (718) 478 5117
www.rominafurniture.com

MOUNTING A DRAWER

Completely extract the rails for the drawer you want to mount. Position the drawer so the rails will reach the slots located in the back side's bottom part of the drawer box. Gently push the drawer until you hear a "click". The drawer is now ready to use



FINE TUNING OF THE DRAWER VERTICAL POSITION

You can adjust the vertical position of the drawer using the two little cog-wheels located underneath the drawer (in front of the handles used for the drawer removal).