

ASSEMBLY INSTRUCTIONS

FOR YOUR TR 4510 TODDLER RAIL

THIS CRIB CONFORMS TO APPLICABLE
REGULATIONS PROMULGATED BY THE
CONSUMER PRODUCT SAFETY COMMISSION

(PLEASE REFER TO “ASSEMBLY INSTRUCTIONS FOR YOUR 4510s STATIONARY / CONVERTIBLE CRIB”
OR TO “ASSEMBLY INSTRUCTIONS FOR YOUR 4510 DROPSIDE / CONVERTIBLE CRIB”)

If you don't have your assembly manual anymore, you can download a copy
from the “Assembly manuals” section of our website www.rominakidsfurniture.com
or request one at contact@rominakidsfurniture.com.

WARNING: THE PROPER USE OF THIS CRIB IS IMPORTANT FOR YOUR BABY'S SAFETY. TO KEEP YOUR BABY SECURE AND SAFE, AND TO AVOID POTENTIAL INJURY OR DEATH, CAREFULLY READ AND FAMILIARIZE YOURSELF WITH ALL WARNINGS, CAUTIONS AND INSTRUCTIONS IN THE INSTRUCTION BOOKLET. KEEP THIS INSTRUCTION BOOKLET FOR FUTURE USE.

- ANY MATTRESS USED IN THIS CRIB MUST BE AT LEAST 27 1/4 IN BY 51 5/8 IN BY 4 IN, WITH A THICKNESS NOT EXCEEDING 6 IN.
- THE MINIMUM AGE OF YOUR CHILD SHALL NOT BE LESS THAN 15 MONTHS AND THE MAXIMUM WEIGHT SHALL NOT BE GREATER THAN 50LB.

DO NOT THROW THIS INSTRUCTION BOOKLET

IMPORTANT:

PLEASE, READ ALL INSTRUCTIONS

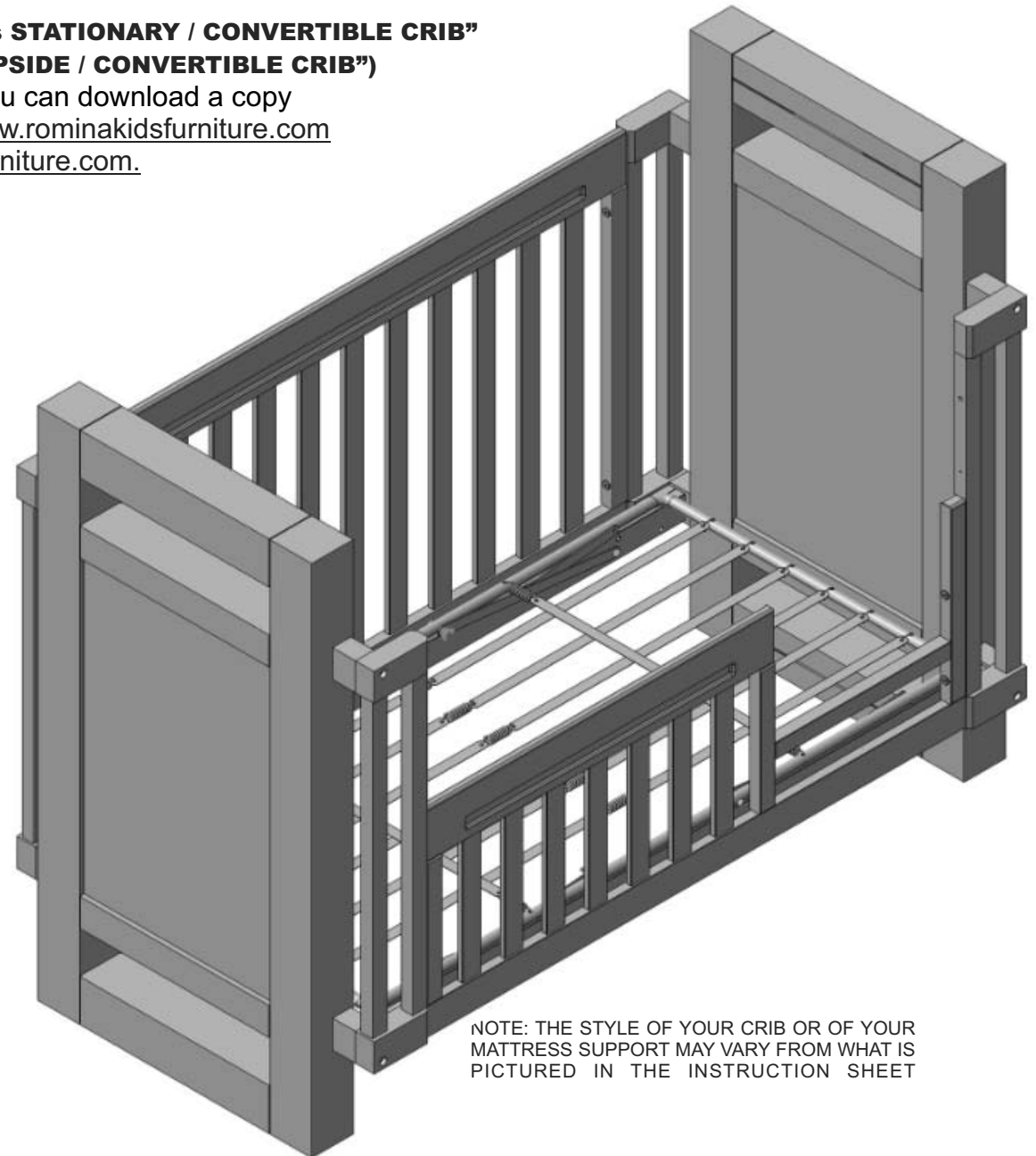
BEFORE ASSEMBLING!

PLEASE, SAVE INSTRUCTIONS FOR

FUTURE USE



20 Corporation Row, Edison, NJ 08817
Phone (718) 478 5100, Fax (718) 478 5117
www.rominakidsfurniture.com



NOTE: THE STYLE OF YOUR CRIB OR OF YOUR
MATTRESS SUPPORT MAY VARY FROM WHAT IS
PICTURED IN THE INSTRUCTION SHEET

FOR DROPSIDE TYPE OF 4510 (older version)

PLEASE REFER TO “ASSEMBLY INSTRUCTIONS FOR YOUR 4510 DROPSIDE / CONVERTIBLE CRIB”

STEP 1d (Two adults are required to complete this step)

Unmount the mattress support (**M**) (see **STEP 8** for details). Keep the resulted hardware for the next steps (**4** rounded head bolts **#8**).

Adjust the mattress support (**M**) to its lowest position (see **STEP 7** for details).

Unmount the dropside panel (see **STEP 6** for details). Keep the resulted hardware for the next steps (**4** Allen bolts **#5**).

Unmount the stabilizer bar (**S**) attached to the dropside panel (see **STEP 4** for details). Keep the resulted hardware for the next steps (**2** Allen bolts **#4** and **2** barrel nuts **#6**).

Detach the dropside (**D**) from the two corner pieces (**CP**) (see **STEP 2** for details).

Carefully store the dropside in a proper place, away from direct sunlight and moisture, taking care not to scratch the wood finish.

Using a Phillips screwdriver (not supplied) you must completely remove all the factory mounted hardware involved in dropside moving, found on the corner pieces (**CP**) of your crib.

You must remove:

- **2** metallic pins (from both corner pieces);
- **2** white plastic pins (from both corner pieces).

Remember: the resulted hardware is not a toy!

You must keep this hardware in a proper place, away from your children.

STEP 2d (Two adults are required to complete this step, see Figures 1d & 2d for details)

Attach the toddler rail (**TR**) to the corner pieces (**CP**) using **4** Allen bolts (**2**) and the Allen wrench supplied (**1**). Do not tighten the bolts completely at this step, you will be asked to do this later.

Attach the stabilizer bar (**S**) to the corner pieces (**CP**) (follow the instructions attached to the stabilizer bar) using **2** Allen bolts (**#4**), **2** barrel nuts (**#6**) and the Allen wrench supplied (**1**).

Push the barrel nuts into the holes drilled in the corner pieces then align the straight slot in the head of the barrel nut vertically, so the threads in the bolt will insert in the barrel nut.

You can adjust the position of the barrel nut with a flat head screwdriver (not supplied) or a coin. Push the Allen bolt through the stabilizer bar. Start the threads by hand to assure you don't strip the threads, then use the supplied Allen wrench. Do not tighten the bolts completely at this step, you will be asked to do this later.

Attach the resulted panel to the crib using **4** Allen bolts (**#5**) and the Allen wrench supplied (**1**). Do not tighten the bolts completely at this step, you will be asked to do this later.

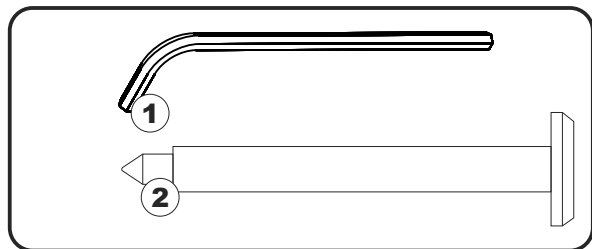
Attach the lowered mattress support (**M**) to the stabilizer bars (**S**) using **4** rounded head bolts (**#8**) and a Phillips screwdriver (not supplied).

Tighten completely all the bolts remained untightened before.

REMINDER: You have a total of **18** bolts, distributed as following: **4** Allen bolts (**2**) in the toddler rail (**TR**), **2** Allen bolts (**#4 + #6**) in the stabilizer bar (**S**), **4** Allen bolts (**#5**) in the toddler rail panel, **4** rounded head bolts (**#8**) in the stabilizer bars (**S**), **4** rounded head bolts (**#7 + #9**) in the mattress support (**MS**).

After completing **STEP 2d**, your crib should look like the one depicted on the first page of this instruction booklet.

HARDWARE BOX CONTENT



Please locate and confirm that you have the following parts:

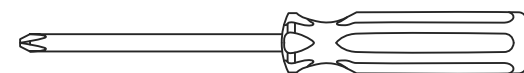
TR. toddler rail = 1

one bag of hardware with the following:

1. Allen wrench = 1
2. Allen bolt (1 15/16" or 50 mm) = 4

Required tools: Allen wrench (supplied), Phillips screwdriver (not included), flat screwdriver (not included).

CAUTION: Do not use a power screwdriver which can cause screws to break or strip



Phillips screwdriver (not included)

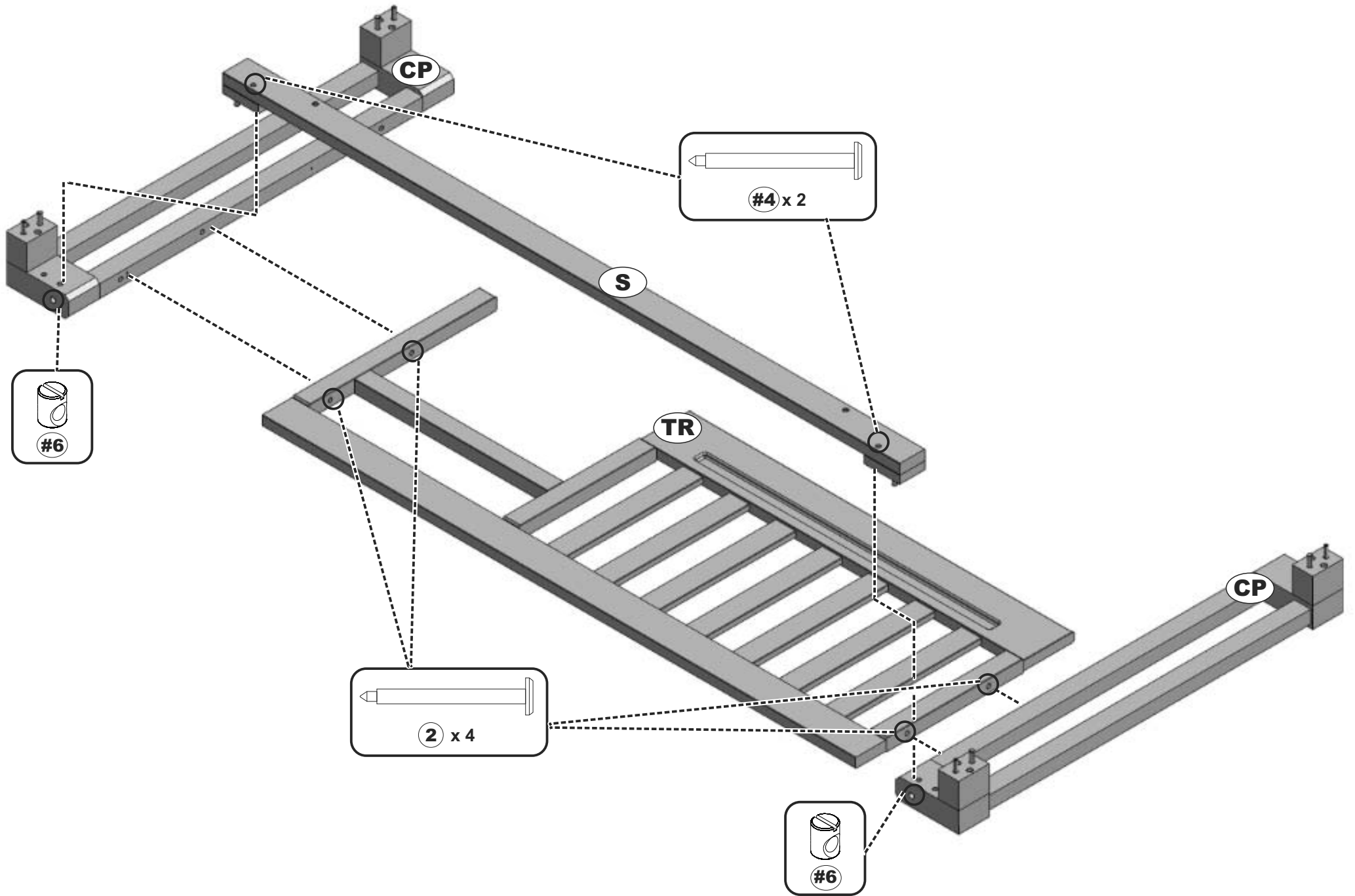


FIGURE 1d

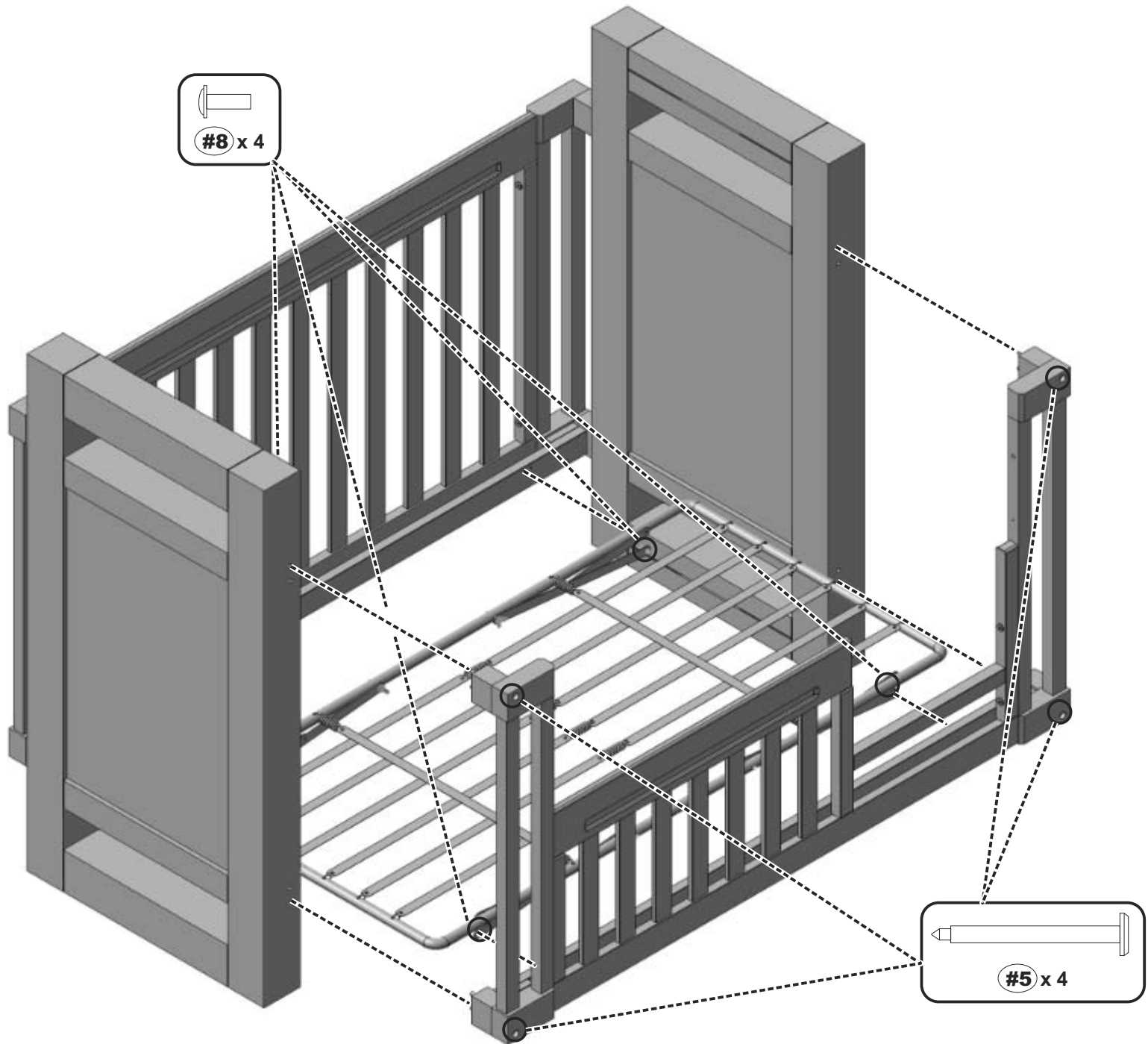


FIGURE 2d

FOR STATIONARY TYPE OF 4510 (newer version)

PLEASE REFER TO "ASSEMBLY INSTRUCTIONS FOR YOUR 4510s STATIONARY / CONVERTIBLE CRIB"

STEP 1s (Two adults are required to complete this step)

Unmount the mattress support (M) (see STEP 5 for details). Keep the resulted hardware for the next steps (4 rounded head bolts #8 and 4 small washers #11).

Adjust the mattress support (M) to its lowest position (see STEP 4 for details).

Unmount one of the stationary side panels (see STEP 3 for details). Keep the resulted hardware for the next steps (4 Allen bolts #5 and 4 bigger washers #10).

Unmount the stabilizer bar (S) attached to the stationary side panel (see STEP 1 for details). Keep the resulted hardware for the next steps (2 Allen bolts #4, 2 bigger washers #10 and 2 barrel nuts #6).

Detach the stationary side (S) from the two corner pieces (CP) (see STEP 1 for details). Keep the resulted hardware for the next steps (4 Allen bolts #3 and 4 bigger washers #10).

Carefully store the stationary side in a proper place, away from direct sunlight and moisture, taking care not to scratch the wood finish.

STEP 2s (Two adults are required to complete this step, see Figures 1s & 2s for details)

Attach the toddler rail (TR) to the corner pieces (CP) using 4 Allen bolts #3, 4 bigger washers #10 and the Allen wrench supplied (1). Do not tighten the bolts completely at this step, you will be asked to do this later.

Attach the stabilizer bar (S) to the corner pieces (CP) (follow the instructions attached to the stabilizer bar) using 2 Allen bolts #4, 2 bigger washers #10, 2 barrel nuts #6 and the Allen wrench supplied (1). Push the barrel nuts into the holes drilled in the corner pieces then align the straight slot in the head of the barrel nut vertically, so the threads in the bolt will insert in the barrel nut. You can adjust the position of the barrel nut with a flat head screwdriver (not supplied) or a coin. Push the Allen bolt through the stabilizer bar. Start the threads by hand to assure you don't strip the threads, then use the supplied Allen wrench. Do not tighten the bolts completely at this step, you will be asked to do this later.

Attach the resulted panel to the crib using 4 Allen bolts #5, 4 bigger washers #10 and the Allen wrench supplied (1). Do not tighten the bolts completely at this step, you will be asked to do this later.

Attach the lowered mattress support (M) to the stabilizer bars (S) using 4 rounded head bolts #8, 4 small washers #11 and a Phillips screwdriver (not supplied).

Tighten completely all the bolts remained untightened before.

REMINDER: You have a total of 18 bolts, distributed as following: 4 Allen bolts (#3 + #10) in the toddler rail (TR), 2 Allen bolts (#4 + #10 + #6) in the stabilizer bar (S), 4 Allen bolts (#5 + #10) in the toddler rail panel, 4 rounded head bolts (#8 + #11) in the stabilizer bars (S), 4 rounded head bolts (#7 + #11 + #9) in the mattress support (MS).

After completing STEP 2s, your crib should look like the one depicted on the first page of this instruction booklet.

HARDWARE BOX CONTENT



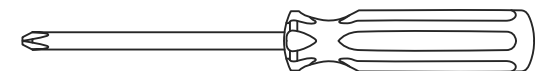
Please locate and confirm that you have the following parts:

TR. toddler rail = 1

one bag of hardware with the following:
Allen wrench = 1

Required tools: Allen wrench (supplied), Phillips screwdriver (not included), flat screwdriver (not included).

CAUTION: Do not use a power screwdriver which can cause screws to break or strip



Phillips screwdriver (not included)

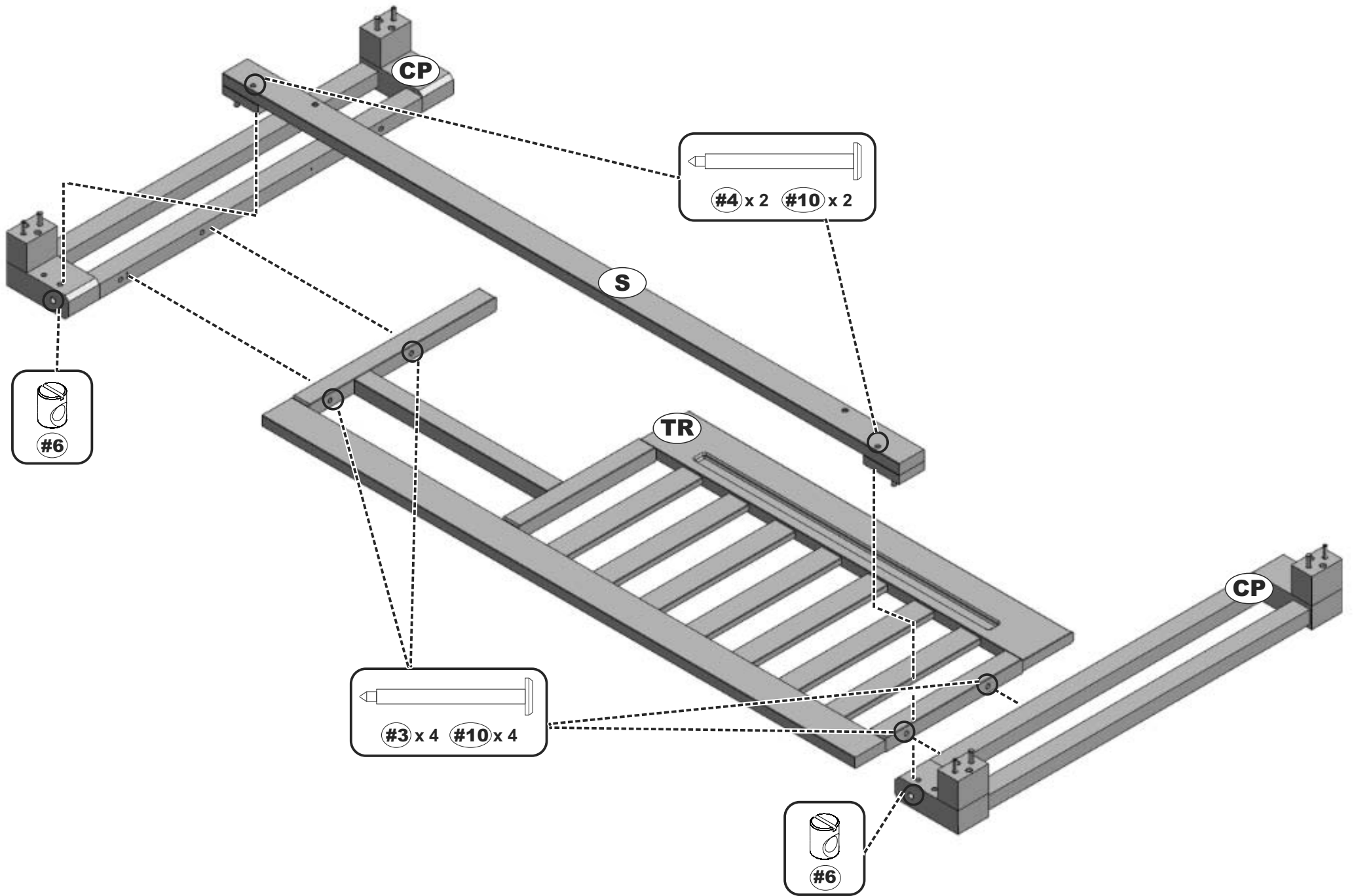


FIGURE 1s

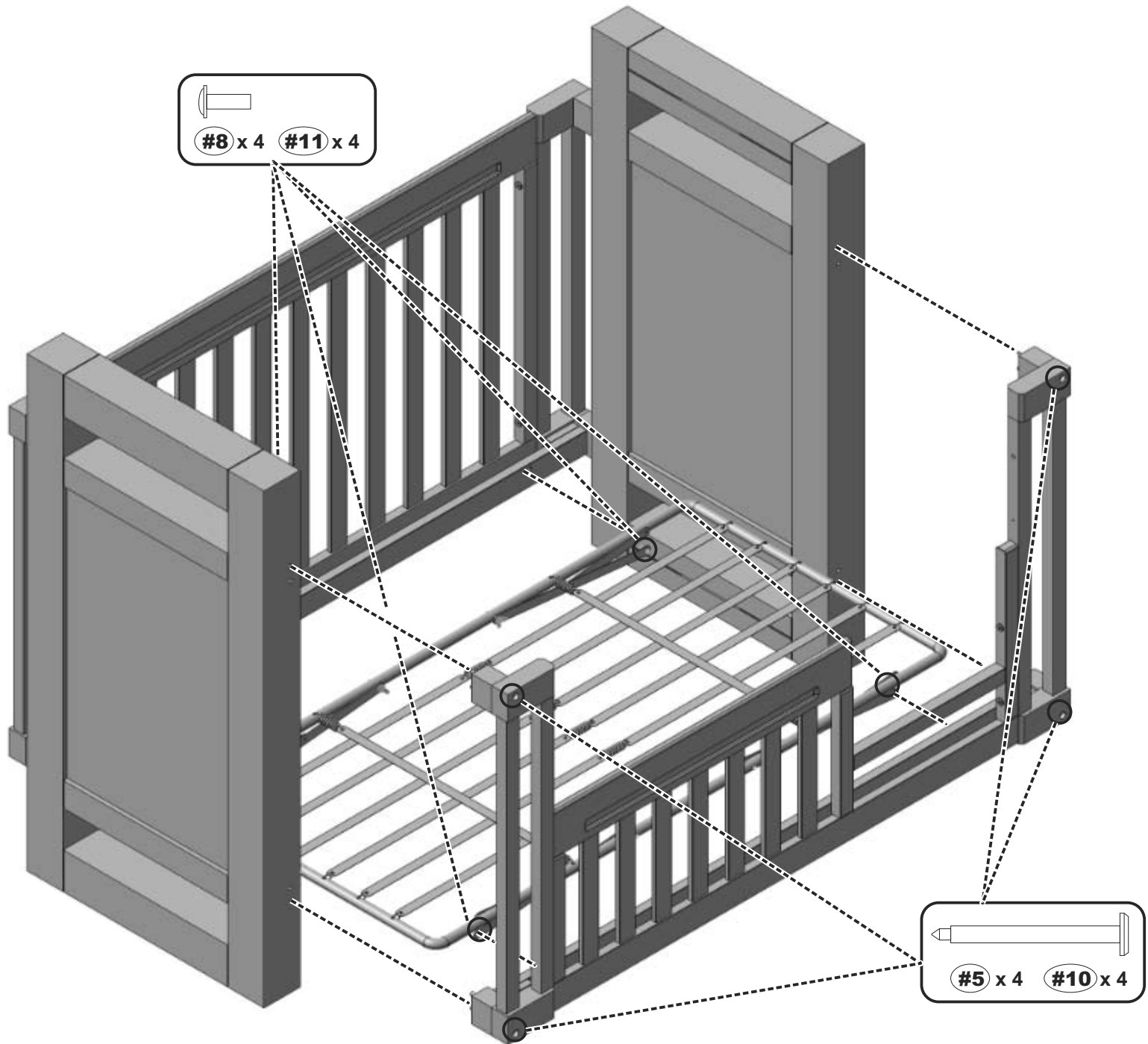


FIGURE 2s

GENERAL FURNITURE CARE TIPS

- Wood, like any natural material is likely to present variations of grain and texture which will result in slight color variations or richness in the finish. These differences make each Romina furniture item as beautiful and unique as you and your baby are.
- To preserve the initial appearance and functionality of your furniture, it is recommended that all furniture items be used in accordance with their intended design.
- Special water-based finishes are used to make this furniture safe for your baby. These finishes may be more delicate than those used on adult furniture thus requiring careful maintenance.
- Constant rubbing or mechanical interaction with sharp/hard objects such as belt buckles, jeans' zippers or buttons will likely damage the finish on your furniture. When placing or retrieving items onto the furniture, always set them down and pick them up, do not "slide" them. Items placed onto the horizontal surfaces must be moved/rotated to prevent discoloration in the finish.
- Exposure to extreme variations of environmental conditions such as humidity and temperature can affect the finish quality due to wood sudden expansion or shrinkage. It is recommended that the room temperature be maintained in between 65 and 75 degrees Fahrenheit and a relative humidity of 35 – 40 %. Do not place items which are too hot or too cold directly onto the finished surfaces!
- Use caution when using a humidifier or vaporizer. Excessive moisture is harmful to the furniture causing the finish to peel and the wood to warp.
- Wipe up spills promptly. If water or other liquids stay in contact with the furniture for a long period of time, they can cause the finish to turn white or discolor. Alcohol or solvent containing substances or materials will permanently damage the finish.
- In general, furniture should not be placed in front or too close to air-conditioning outlets, fireplaces, heaters or humidifiers. Direct sunlight and ultraviolet rays will cause colors to fade, affect the luster and smoothness of the finish and in most cases may cause hairline cracks in the finish. White finishes will yellow naturally over time; exposure to direct sunlight will accelerate this natural process. Please note that all wood essences will darken over time along with the natural aging process which is not considered to be a quality defect.
- To clean the furniture, use a damp cloth immediately followed by wiping with a dry cloth. Do not allow water to stay in contact with the finish as it will damage the finish.
- If you need to put your furniture into storage for any period of time, avoid placing it in damp basements or hot attics. Air flow around and under the furniture should be allowed. Do not place furniture too close to walls, do not stack anything on it and do not cover it entirely.
- When using a vinyl changing pad or similar plastic accessories, make sure to use a fabric felt underneath. Certain plastics have ingredients that can react with and damage the finish. It is recommended to rotate the changing pad's position frequently to avoid finish discoloration.