

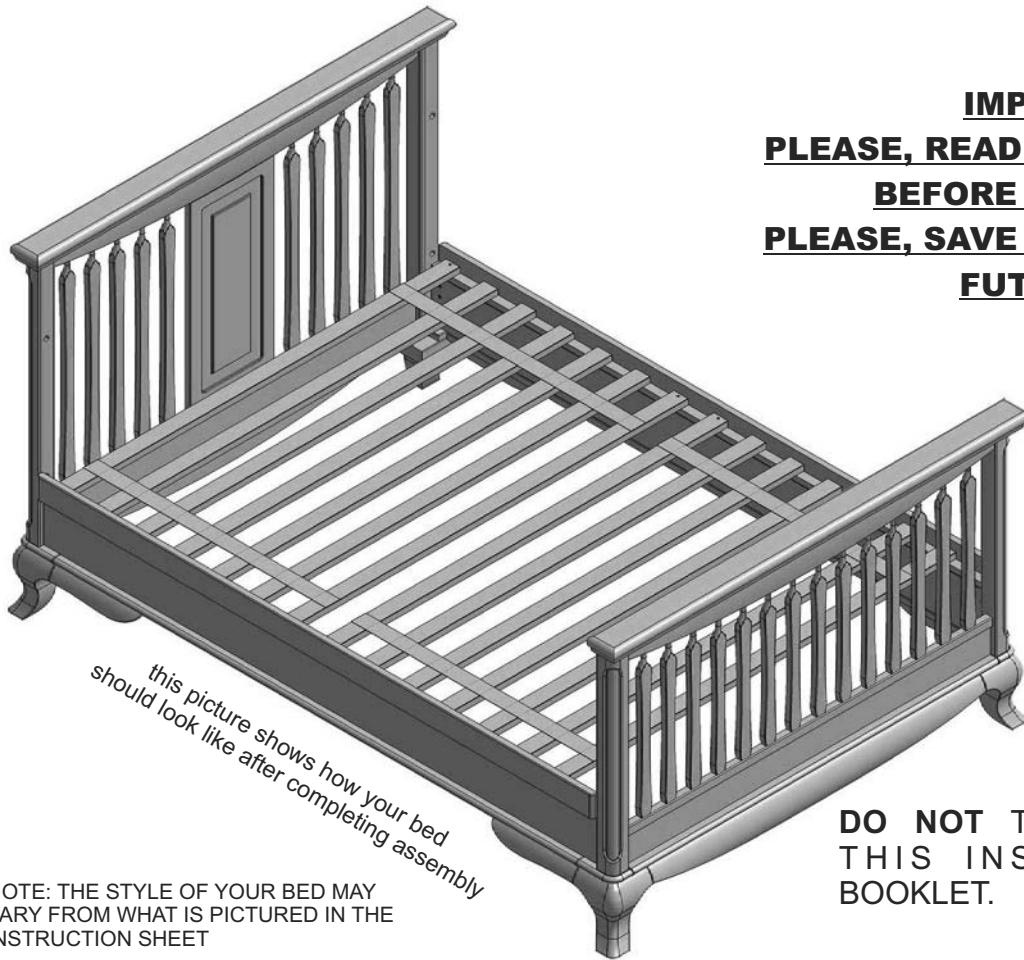
ASSEMBLY INSTRUCTIONS

FOR THE FULL SIZE BED OPTION

OF YOUR 6501 & 7501 CONVERTIBLE CRIBS

(PLEASE REFER TO "ASSEMBLY INSTRUCTIONS FOR YOUR 6501 & 7501 CONVERTIBLE CRIBS")

IMPORTANT:
PLEASE, READ ALL INSTRUCTIONS
BEFORE ASSEMBLING!
PLEASE, SAVE INSTRUCTIONS FOR
FUTURE USE



*this picture shows how your bed
should look like after completing assembly*

NOTE: THE STYLE OF YOUR BED MAY
VARY FROM WHAT IS PICTURED IN THE
INSTRUCTION SHEET



*this picture shows how your bed
should look like after completing assembly*

**DO NOT THROW AWAY
THIS INSTRUCTION
BOOKLET.**

Regular cleaning with mild soap on a soft cloth, followed by a clean damp cloth, then a dry cloth, will preserve the original luster and beauty of this fine finish of your Romina Furniture product.

Visit
www.rominakidsfurniture.com
for updates, special offers and more new designs.

Romina®
Furniture

20 Corporation Row, Edison, NJ 08817
Phone (718) 478 5100, Fax (718) 478 5117
www.rominakidsfurniture.com

Please locate and confirm that you have the following parts:

BR. bed rails = 1 + 1

SL. group of support slats assembled with textile ribbons = 2

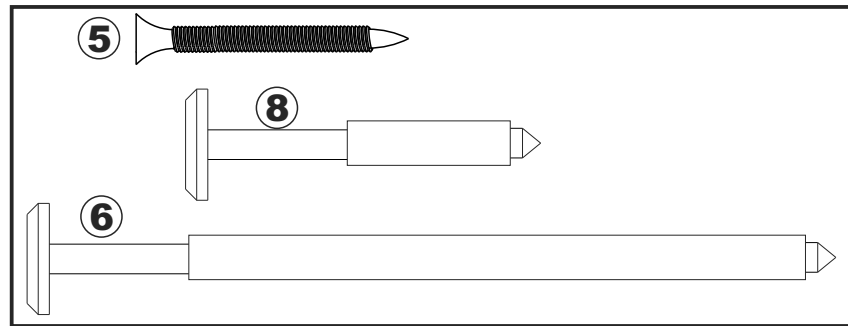
WO. wooden ornament = 2 + 2

one bag of hardware with the following:

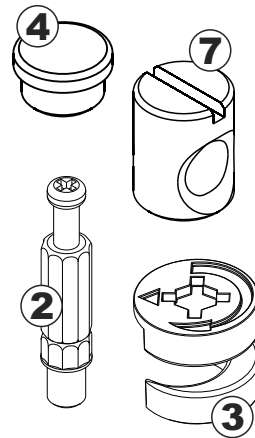
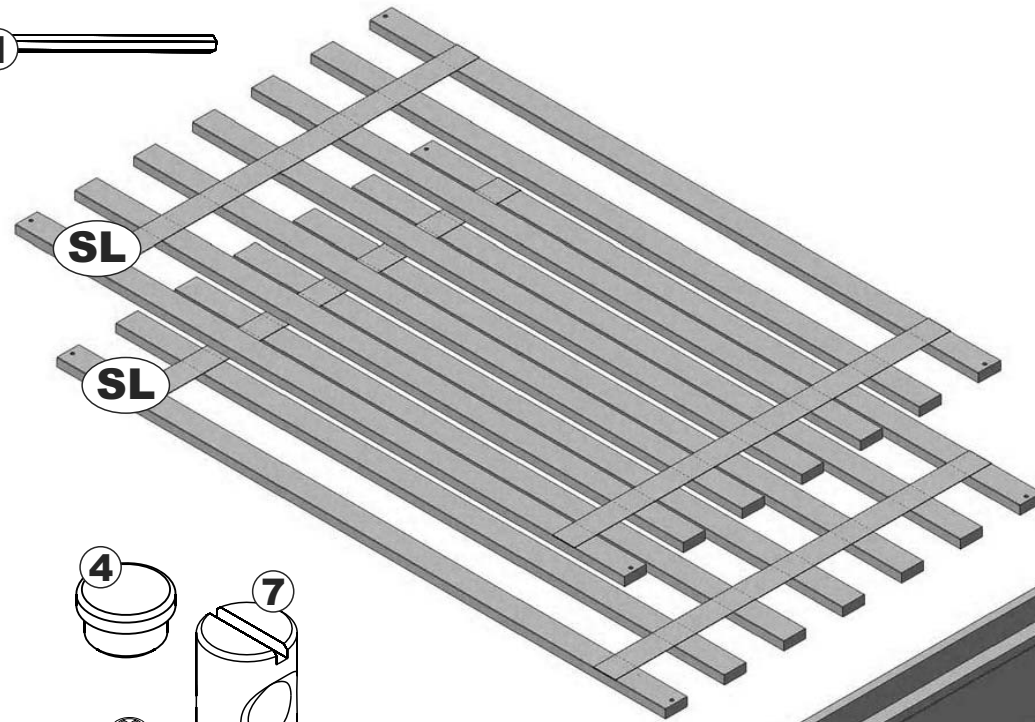
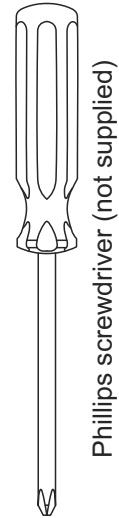
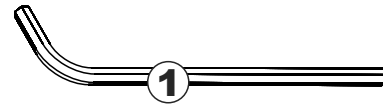
1. Allen wrench = 1
2. dowel = 4
3. cam fitting = 4
4. wooden cap = 4
5. wood screw (1 3/8" or 35 mm) = 8
6. Allen bolts (4" or 100 mm) = 6
7. barrel nuts = 6
8. Allen bolts (1 5/8" or 40 mm) = 8

Required tools: Allen wrench (supplied), Phillips screwdriver (not supplied).

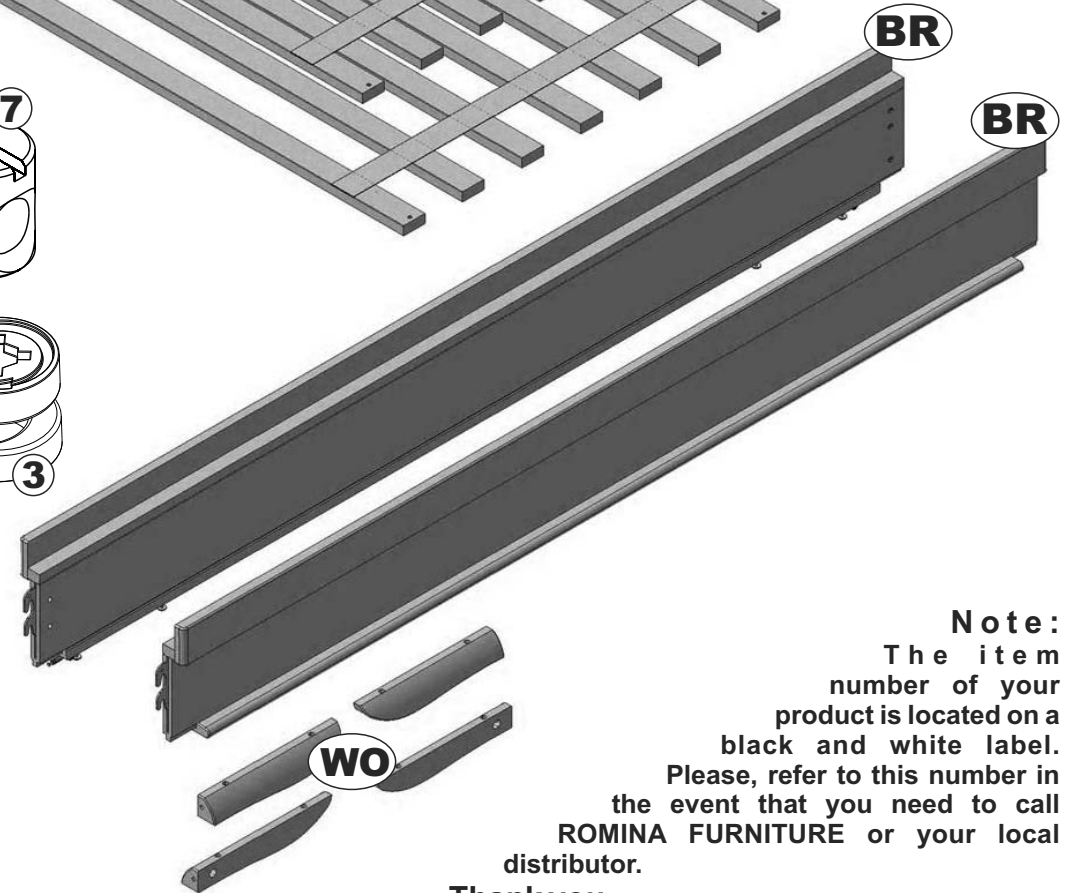
CAUTION: Do not use a power screwdriver which can cause screws to break or strip



Be sure to **TIGHTEN COMPLETELY** the screws / bolts when you are asked to do so.



Note: The letters which identifies a part are the initials of the respective part name (such method is employed to facilitate parts recognition between the drawings and the parts list).



Note:
The item number of your product is located on a black and white label. Please, refer to this number in the event that you need to call ROMINA FURNITURE or your local distributor.

Thank you.

STEP 1 (Two adults are required to complete this step)

Take your crib and carefully place it on the floor with the headboard **(HB)** on top, taking care not to scratch its finish.

Using a Phillips screwdriver (not supplied) remove all the four smaller rounded head bolts **(6)** involved in mattress support fixing **(MS)** then remove the mattress support (see **STEP 4 & FIGURE 4** from “**ASSEMBLY INSTRUCTIONS FOR YOUR 6501 & 7501 CONVERTIBLE CRIBS**”).

Using the supplied Allen wrench, remove all the four smaller Allen bolts **(3)** used to fix the stabilizing bars **(SB)** then remove the stabilizing bars too (see **STEP 3 & FIGURE 3** from “**ASSEMBLY INSTRUCTIONS FOR YOUR 6501 & 7501 CONVERTIBLE CRIBS**”).

Look at the lower part of the left and right panels and locate the four cam fittings **(9)** used to fix the footboard and the headboard **(FB)** & **(HB)**. Using the supplied Allen wrench, rotate them counterclockwise so the little arrow of the cam will point to the footboard (for the front cams) or headboard (for the rear cams) (see **STEP 3 & FIGURE 3** from “**ASSEMBLY INSTRUCTIONS FOR YOUR 6501 & 7501 CONVERTIBLE CRIBS**”).

Remove all the eight Allen bolts **(4)** & **(11)** used to fix the footboard and the headboard **(FB)** & **(HB)** (see **STEP 1** and **FIGURE 1** from “**ASSEMBLY INSTRUCTIONS FOR YOUR 6501 & 7501 CONVERTIBLE CRIBS**”).

Disassemble the crib, taking care not to scratch the wood finish. Keep the footboard and the headboard of your crib for the next step and carefully store the other resulted pieces in a proper place, away from direct sunlight and moisture, taking care not to scratch the wood finish.

STEP 2 (Two adults are required to complete this step)

Attach the bed rails **(BR)** to the headboard **(HB)** of the crib using all the six bigger Allen bolts **(6)** and all the six barrel nuts **(7)**. Make sure that the wood brackets attached to the bed rails faces towards the inside of the bed. Align the straight slots in the head of the barrel nuts horizontally, so the threads in the bolts will insert in the barrel nuts. You can adjust the position of the barrel nut with a flat head screwdriver (not supplied) or a coin. Push the Allen bolts through the headboard and into the bed rail. Start the threads by hand to assure you don't strip the threads, then, use the supplied Allen wrench **(1)**. Do not tighten the bolts completely at this step, you will be asked to do that later.

STEP 3 (Two adults are required to complete this step)

Insert the metallic hooks attached at the ends of the bed rails into the slots provided in the footboard's legs, so the hooks will catch the inner metallic pins. Make sure that both bed rails are firmly attached to the footboard **(FB)**.

Tighten completely all the six bigger Allen bolts.

STEP 4

Using all the eight smaller Allen bolts **(8)**, all the four dowels **(2)** and all the four cam fittings **(3)**, attach the wooden ornaments **(WO)** to the bed rails **(BR)** and to the end panels **(HB)** & **(FB)**, following the next steps:

A) using a Phillips screwdriver (not supplied) or just the hand, insert a dowel **(2)** into one crib's foot;

B) attach the wooden ornament **(WO)** to the end panel **(HB)** or **(FB)**, inserting the dowel into the hole found on the smaller side of the wooden ornament;

C) slightly pressing the wooden ornament against the crib's foot, insert the cam fitting **(3)** into the inner face hole of the wooden ornament, taking care that the little arrow of the cam is pointing to the crib's foot (parallel to the dowel's direction)

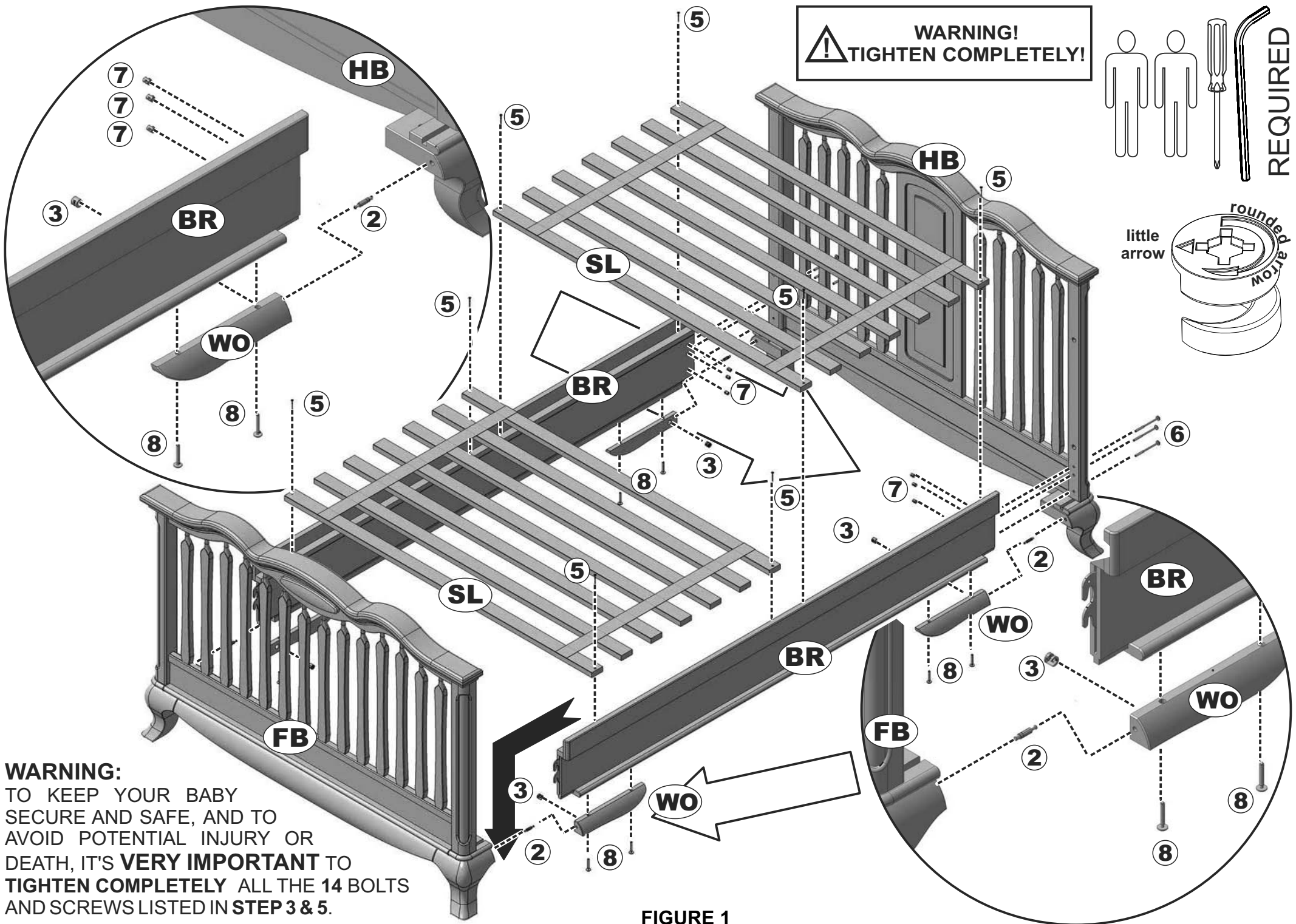
D) insert the smaller Allen bolts **(8)**, starting the threads by hand. Do not tighten the bolts completely at this moment, you will be asked to do this later. Adjust the position of the wooden ornament to follow the lines of the crib's foot by slightly moving the ornament then using the supplied Allen wrench and moderate force, slightly rotate the cam fitting clockwise (see the cam's rounded arrow) by about 90 deg to 120 deg until become tight. You don't need to overtight the cam! Again, using the supplied Allen wrench and moderate force, tighten completely the two smaller Allen bolts **(8)**.

Repeat the above steps for the rest of the three wooden ornaments.

STEP 5

Place the support slats **(SL)** onto the wood brackets attached to the bed rails. Position the support slats evenly between the bed ends. Make sure you **firmly attach** the support slats to the wood brackets using the all the eight wood screws **(5)** provided. Use a Phillips screwdriver (not supplied) to **tighten the wood screws completely**.

After completing **STEP 5**, your bed should look like one of the beds depicted on the first page of this instruction booklet.



WARNING:
TO KEEP YOUR BABY
SECURE AND SAFE, AND TO
AVOID POTENTIAL INJURY OR
DEATH, IT'S **VERY IMPORTANT** TO
TIGHTEN COMPLETELY ALL THE 14 BOLTS
AND SCREWS LISTED IN **STEP 3 & 5.**

FIGURE 1