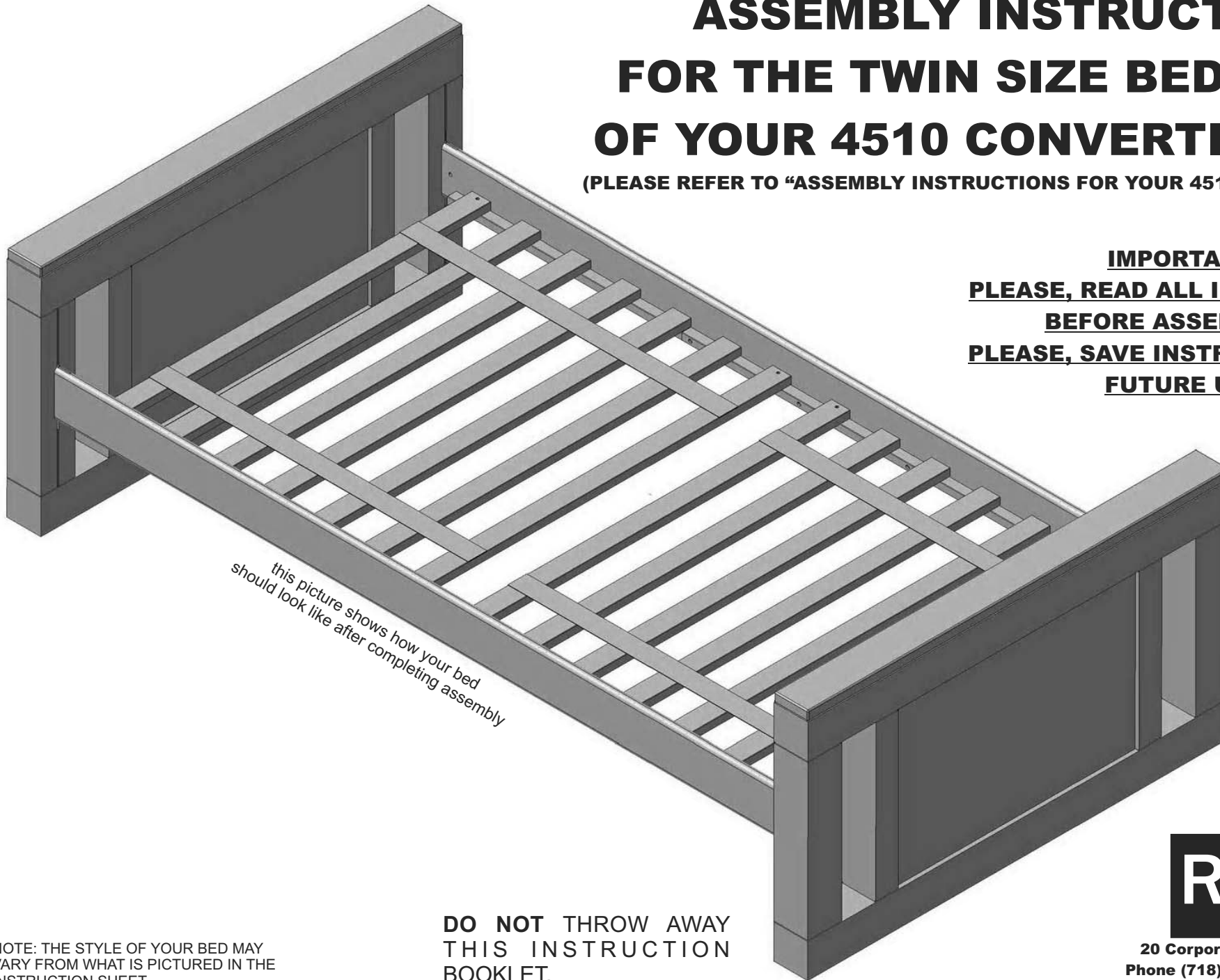


ASSEMBLY INSTRUCTIONS FOR THE TWIN SIZE BED OPTION OF YOUR 4510 CONVERTIBLE CRIB

(PLEASE REFER TO "ASSEMBLY INSTRUCTIONS FOR YOUR 4510 CONVERTIBLE CRIB")

IMPORTANT:
PLEASE, READ ALL INSTRUCTIONS
BEFORE ASSEMBLING!
PLEASE, SAVE INSTRUCTIONS FOR
FUTURE USE



this picture shows how your bed
should look like after completing assembly

NOTE: THE STYLE OF YOUR BED MAY
VARY FROM WHAT IS PICTURED IN THE
INSTRUCTION SHEET

**DO NOT THROW AWAY
THIS INSTRUCTION
BOOKLET.**

Romina®
Furniture

20 Corporation Row, Edison, NJ 08817
Phone (718) 478 5100, Fax (718) 478 5117
www.rominakidsfurniture.com

Please locate and confirm that you have the following parts:

BR. bed rails = 2

SL. group of support slats assembled with textile ribbons = 2

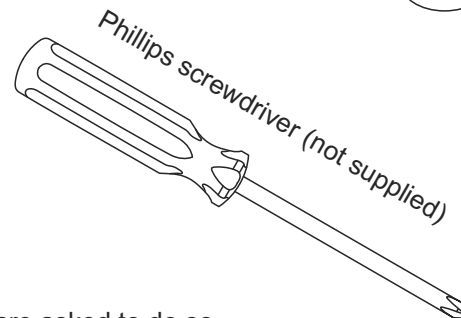
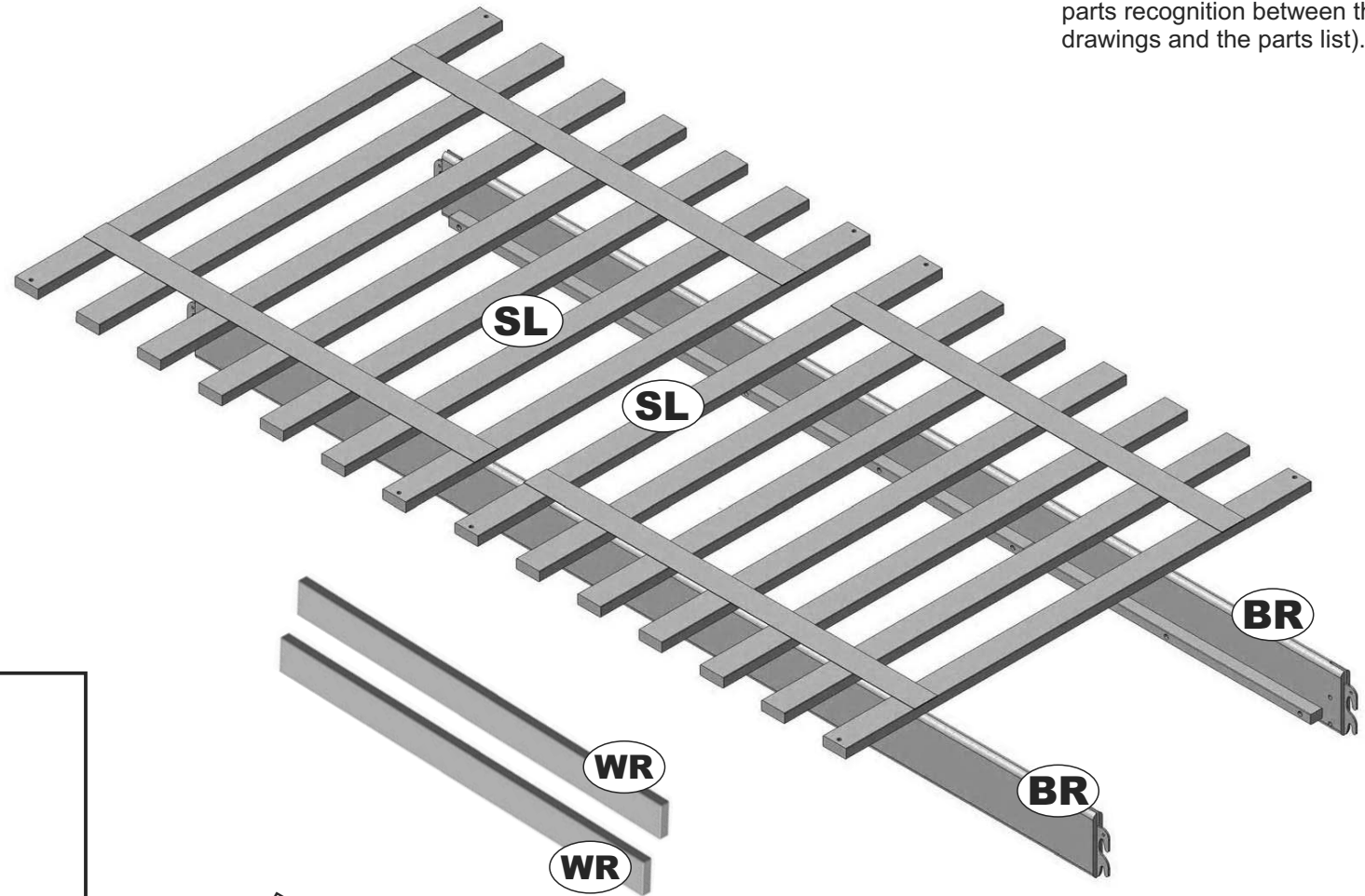
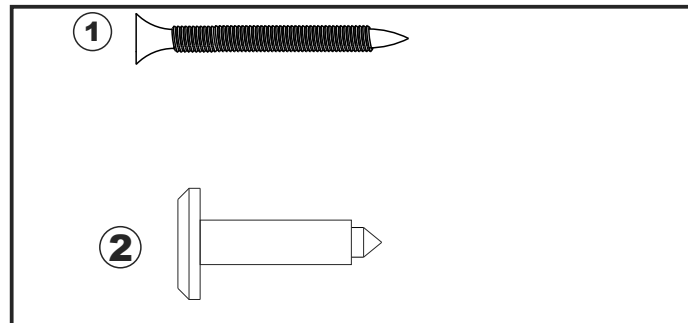
WR. wooden rail = 2

one bag of hardware with the following:

1. wood screw (1 3/8" or 35 mm) = 8
2. Allen bolts (25/32" or 20 mm) = 4

Required tools: Allen wrench (supplied with the crib), Phillips screwdriver (not supplied).

CAUTION: Do not use a power screwdriver which can cause screws to break or strip



Note: The letters which identifies a part are the initials of the respective part name (such method is employed to facilitate parts recognition between the drawings and the parts list).

Be sure to **TIGHTEN COMPLETELY** the screws / bolts when you are asked to do so.

Note:
The item number of your product is located on a black and white label. Please, refer to this number in the event that you need to call ROMINA FURNITURE or your local distributor.
Thank you.

STEP 1

Using a Phillips screwdriver (not supplied) remove all the four smaller rounded head bolts **(8)** involved in mattress support fixing **(M)** then remove the mattress support (see **STEP 8 & FIGURE 8** from “**ASSEMBLY INSTRUCTIONS FOR YOUR 4510 CONVERTIBLE CRIB**”).

Using the Allen wrench (supplied with the crib), remove all the eight bigger Allen bolts **(5)** used to fix the dropside **(D)** and the fixedside **(F)** of your crib (see **STEP 6 & FIGURE 6** from “**ASSEMBLY INSTRUCTIONS FOR YOUR 4510 CONVERTIBLE CRIB**”).

Dissassemble the crib, taking care not to scratch the wood finish.

Keep the footboard and the headboard of your crib for the next step and carefully store the other resulted pieces in a proper place, away from direct sunlight and moisture, taking care not to scratch the wood finish.

Regular cleaning with mild soap on a soft cloth, followed by a clean damp cloth, then a dry cloth, will preserve the original luster and beauty of this fine finish of your Romina Furniture product.

STEP 2

Attach the bed rails **(BR)** to the headboard **(HB)** and to the footboard **(FB)** of your crib by inserting the metallic hooks attached at the ends of the bed rails into the slots provided in the bed ends, so the hooks will catch the inner metallic pins. Make sure that both bed rails are firmly attached to the bed ends.

STEP 3

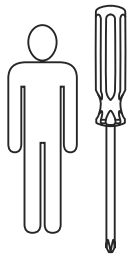
Place the support slats **(SL)** onto the wood brackets attached to the bed rails. Position the support slats evenly between the bed ends. Make sure you firmly attach the support slats to the wood brackets using the all the eight wood screws **(1)** provided. Use a Phillips screwdriver (not supplied) to tighten the screws completely.

STEP 4

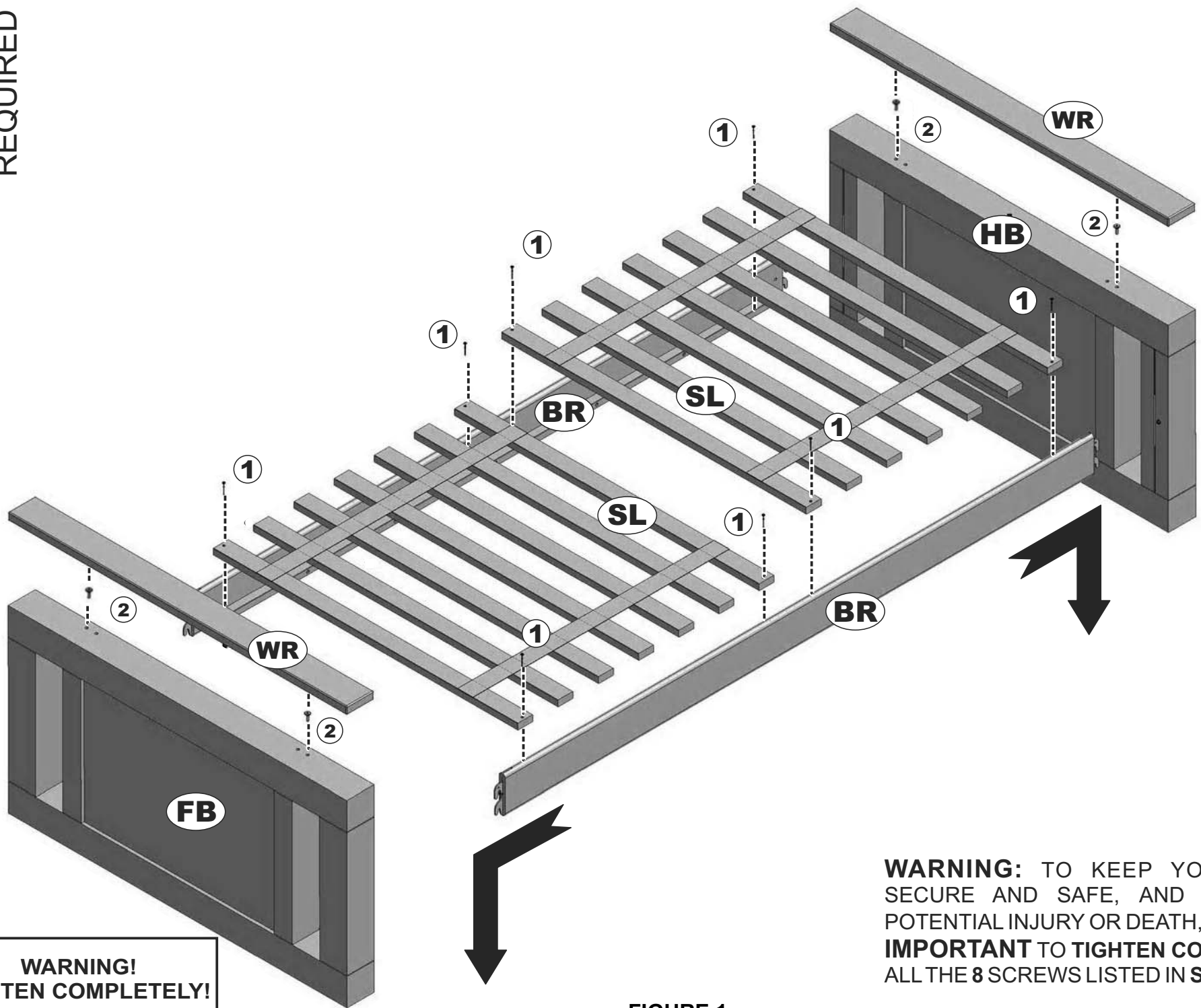
Insert all the four Allen bolts **(2)** into the metallic inserts holes found on the top of the headboard and the footboard. Start the threads by hand and adjust the position of every Allen bolt so the magnets inserted into the wooden rails **(WR)** will catch the Allen bolts heads and the wooden rails will attach to the bed ends.

After completing **STEP 4**, your bed should look like the one depicted on the first page of this instruction booklet.

Visit
www.rominakidsfurniture.com
for updates, special offers and more new designs.



REQUIRED



 **WARNING!**
TIGHTEN COMPLETELY!

WARNING: TO KEEP YOUR BABY SECURE AND SAFE, AND TO AVOID POTENTIAL INJURY OR DEATH, IT'S **VERY IMPORTANT** TO **TIGHTEN COMPLETELY** ALL THE 8 SCREWS LISTED IN **STEP 3**.

FIGURE 1