

ASSEMBLY INSTRUCTIONS FOR THE FULL SIZE BED OPTION OF YOUR 302 CRESCENDO CRIB



IMPORTANT:
PLEASE, READ ALL INSTRUCTIONS
BEFORE ASSEMBLING!
PLEASE, SAVE INSTRUCTIONS FOR
FUTURE USE

NOTE: THE STYLE OF YOUR BED MAY VARY FROM
WHAT IS PICTURED IN THE INSTRUCTION SHEET

Romina[®]
furniture

6323 53rd Drive, Maspeth NY 11378
Phone 718 478 5100, Fax 718 478 5117
www.rominakidsfurniture.com

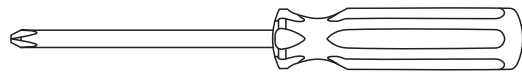
Please locate and confirm that you have the following parts:

BR. bed rails = 2

S. group of support slats assembled with textile ribbons = 2

one bag of hardware with the following:

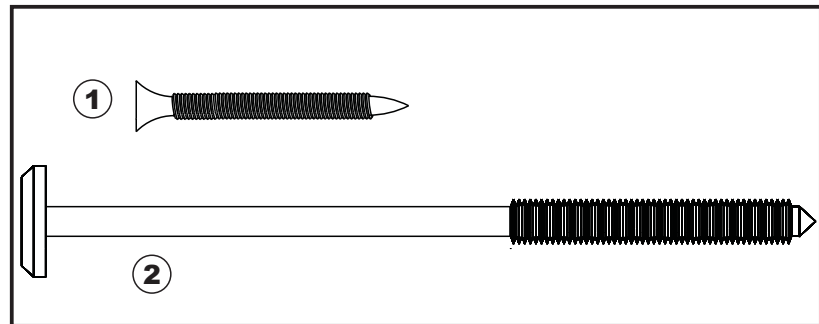
1. wood screw (1 3/8" or 35 mm) = 8
2. Allen bolts (3 15/16" or 100 mm) = 4
3. barrel nuts = 4
4. Allen wrench = 1



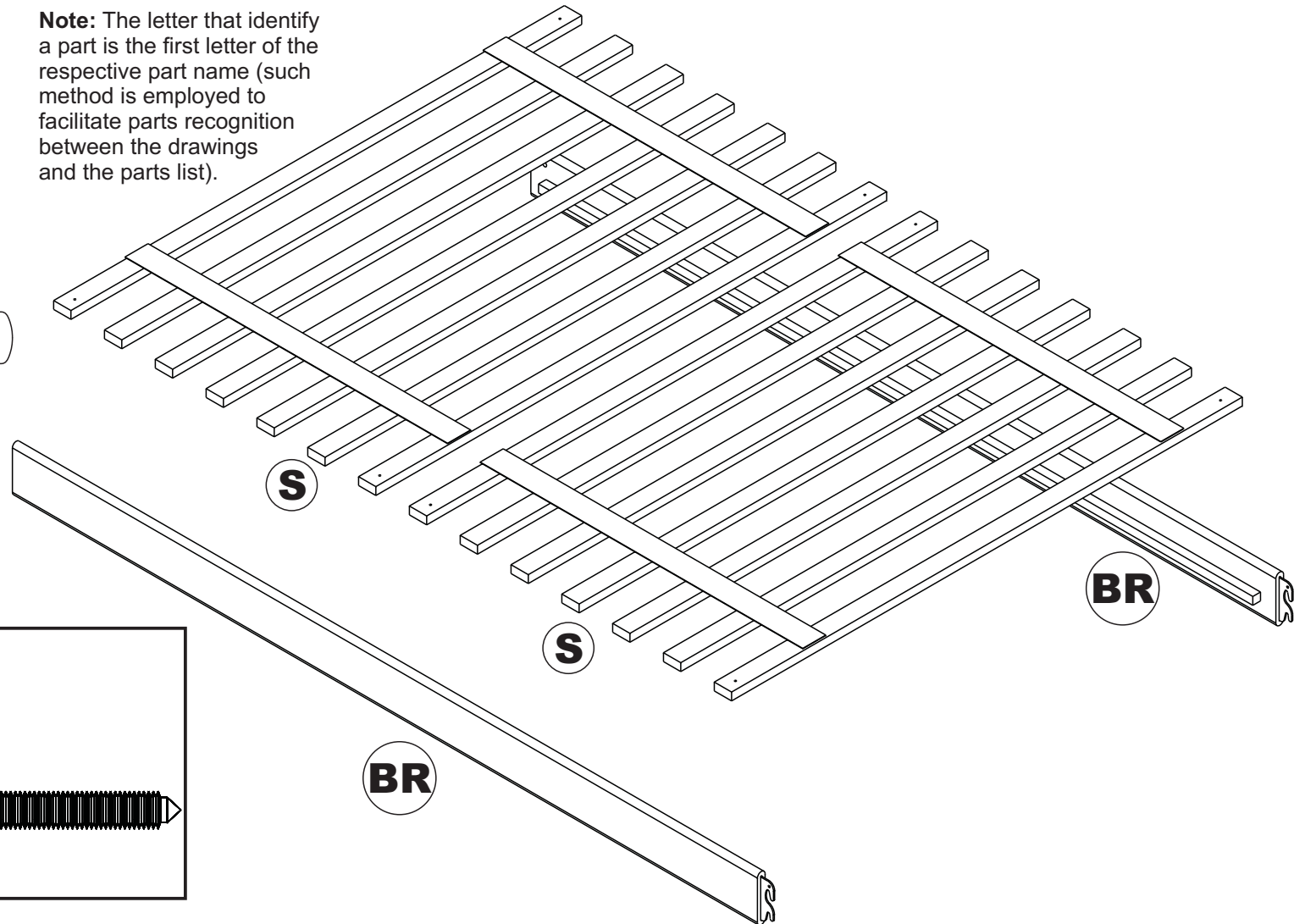
Phillips screwdriver (not supplied)

Required tools: Allen wrench (supplied), Phillips screwdriver (not supplied).

CAUTION: Do not use a power screwdriver which can cause screws to break or strip



Note: The letter that identify a part is the first letter of the respective part name (such method is employed to facilitate parts recognition between the drawings and the parts list).



Be sure to **TIGHTEN COMPLETELY** the screws / bolts when you are asked to do so.

STEP 1

Using the Allen wrench (4) supplied, remove all the 16 Allen bolts shown in Figure 1. Start with the 12 Allen bolts labeled A in Figure 1 then continue with the 4 bolts labeled B. Please, take care not to drop and scratch the resulting parts of your crib.

To assemble the full bed you will need only the front panel and the back panel of your crib.

Please, store the remaining parts (left panel, right panel, mattress support and the Allen bolts) for future use of your crib. Keep the wooden parts away from direct sunlight and moisture, taking care not to scratch them.

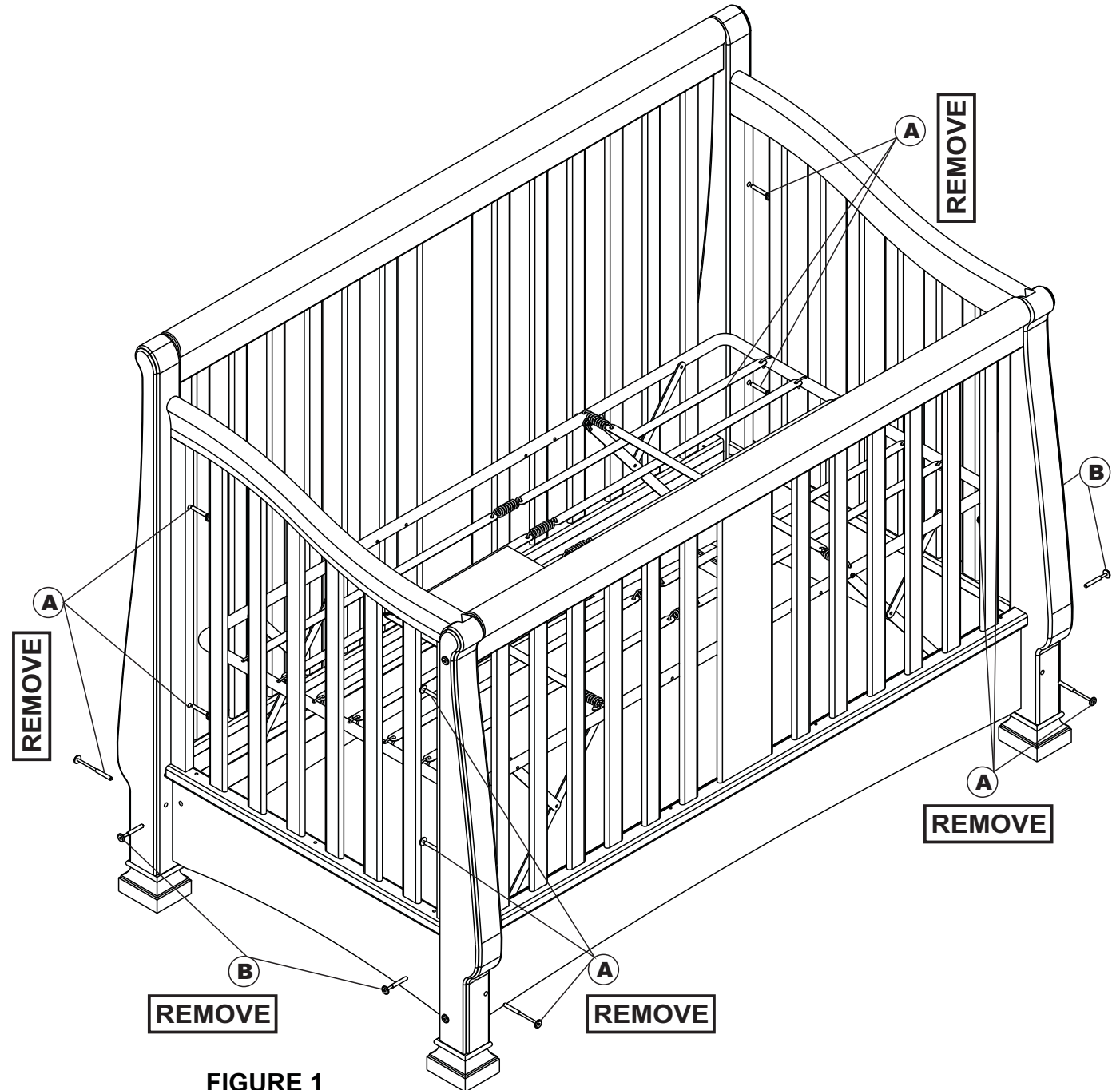


FIGURE 1

STEP 2

Attach one of the bed rails (BR) to the back panel (B) of the crib using 2 Allen bolts (2) and 2 barrel nuts (3). Make sure the wood brackets attached to the bed rails face towards the inside of the bed.

Align the straight slot in the head of the barrel nut horizontally, so the threads in the bolt will insert in the barrel nut. You can adjust the position of the barrel nut with a flat head screwdriver (not supplied) or a coin.

Push the Allen bolts through the back panel and into the bed rail. Start the threads by hand to assure you don't strip the threads, then, use the supplied Allen wrench (4).

Do not tighten the bolts completely at this step, you will be asked to do so later. Do the same operations for the other bed rail.

STEP 3

Insert the metallic hooks attached at the ends of the bed rails into the slots provided in the front panel's legs, so the hooks will catch the inner pins (see the sectioned view).

Make sure that both bed rails are firmly attached to the front panel (F).
Tighten completely all the four Allen bolts.

STEP 4

Place the support slats (S) onto the wood brackets attached to the bed rails. Position the support slats evenly between the bed ends. Make sure you firmly attach the support slats to the wood brackets using the 8 wood screws (1) provided. Use a Phillips screwdriver (not supplied) to tighten the screws completely.

