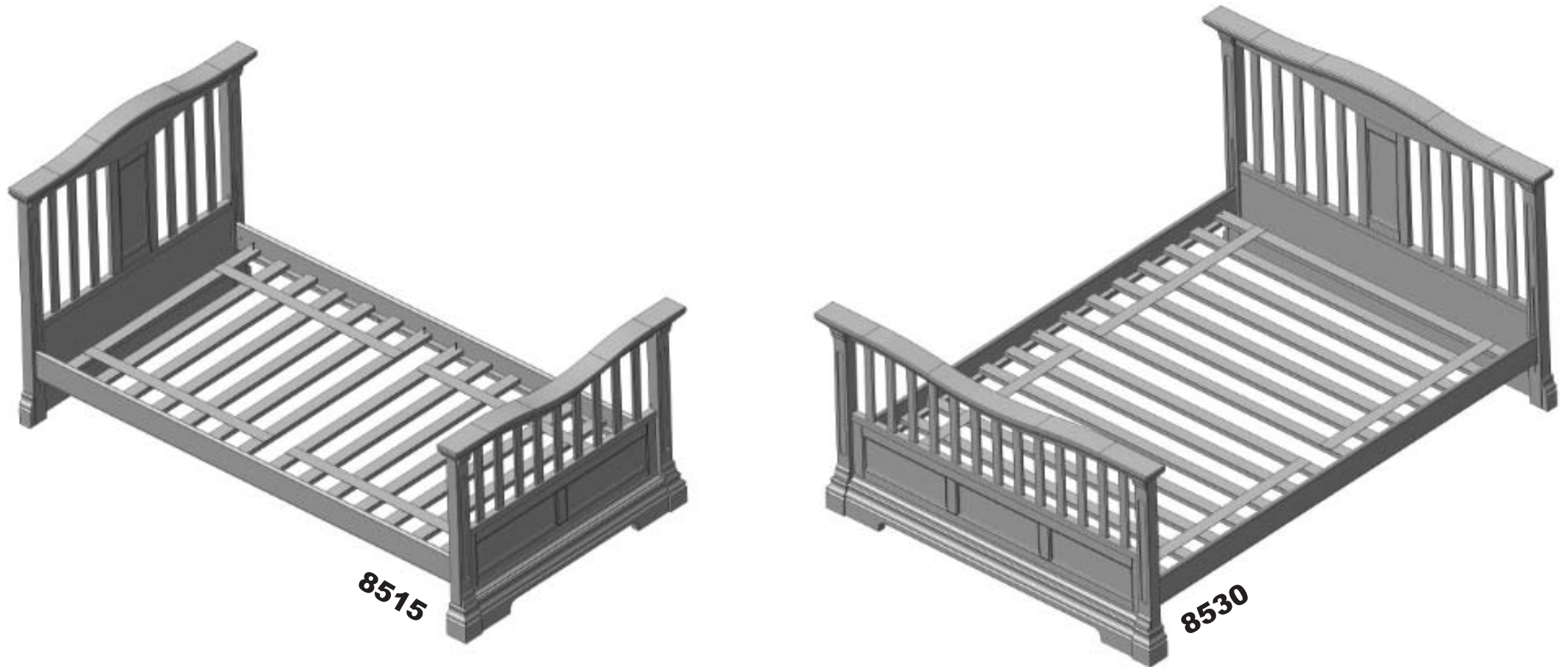


these pictures shows how your beds
should look like after completing assembly

**DO NOT THROW THIS
INSTRUCTION BOOKLET**

ASSEMBLY INSTRUCTIONS FOR YOUR IMPERIO 8515 & 8530 BEDS

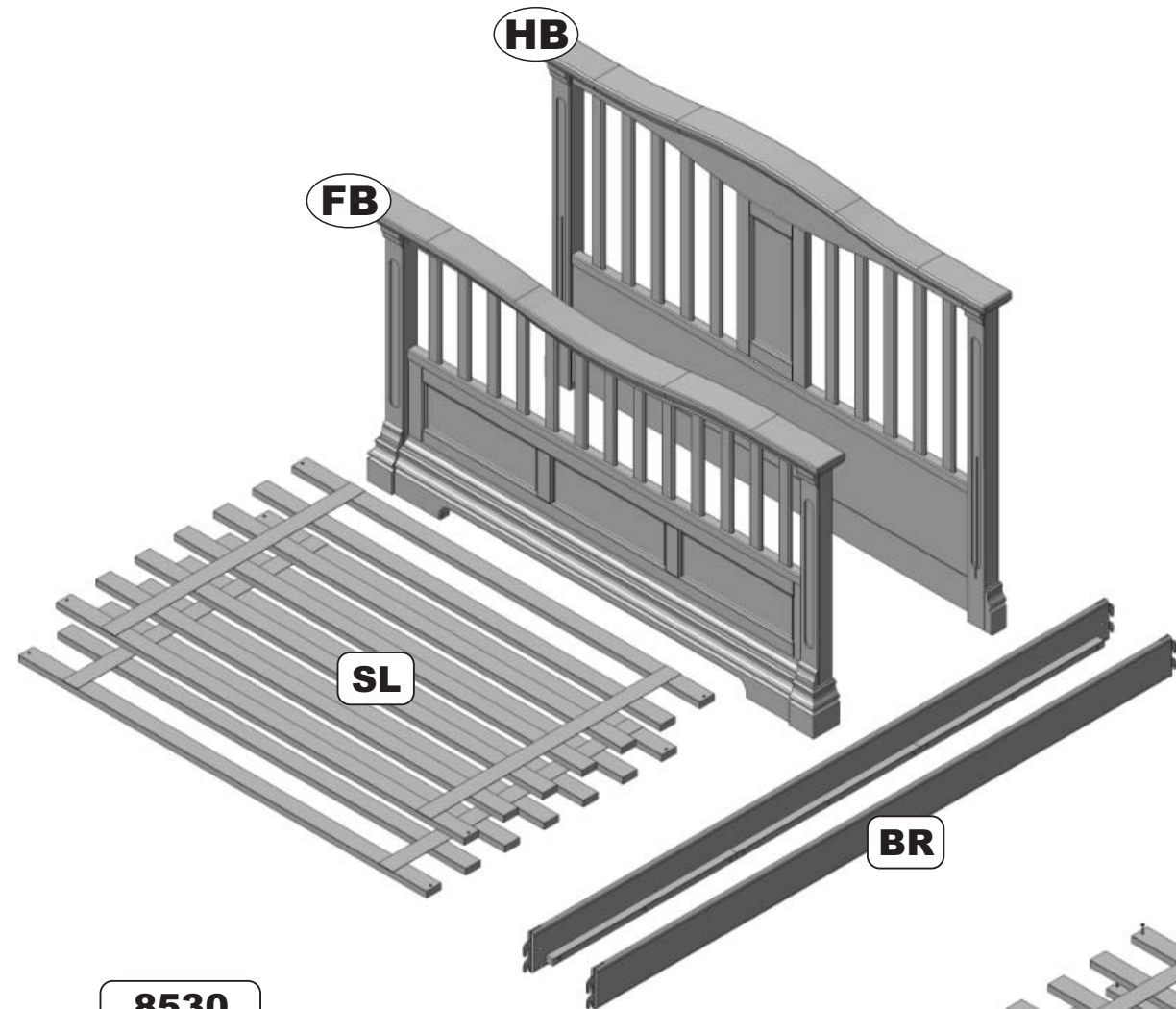


Romina[®]
Furniture

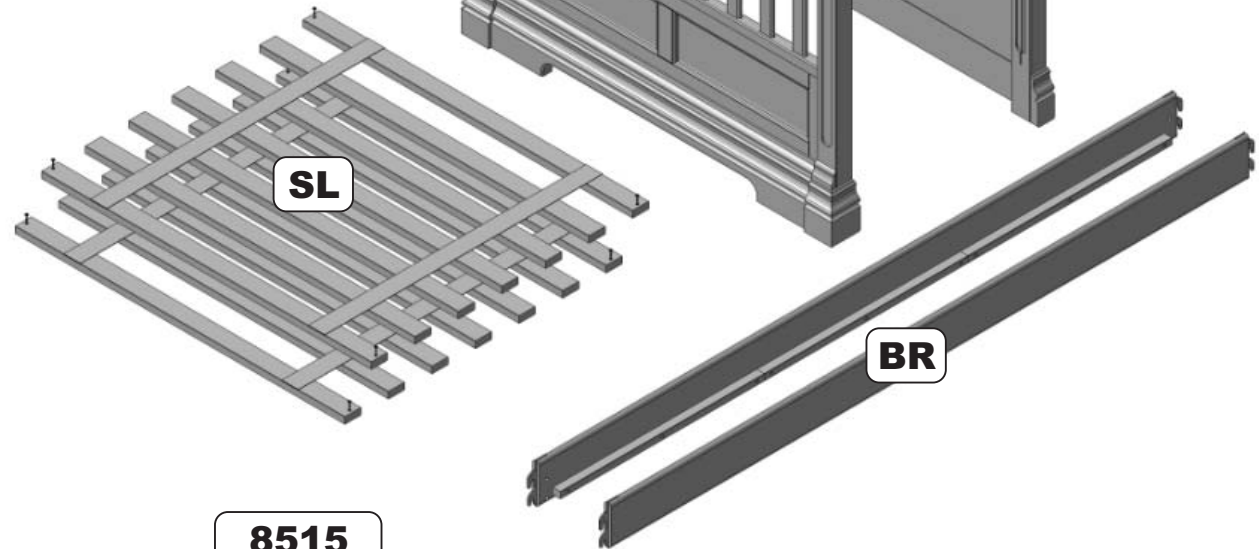
20 Corporation Row, Edison, NJ 08817
Phone (718) 478 5100, Fax (718) 478 5117
www.rominafurniture.com

**IMPORTANT: PLEASE, READ ALL
INSTRUCTIONS BEFORE ASSEMBLING! PLEASE,
SAVE INSTRUCTIONS FOR FUTURE USE**

NOTE: THE STYLE OF YOUR
BED MAY VARY FROM WHAT IS
PICTURED IN THE
INSTRUCTION SHEET



8530



8515

IMPORTANT:
PLEASE, READ ALL INSTRUCTIONS BEFORE ASSEMBLING!
PLEASE, SAVE INSTRUCTIONS FOR FUTURE USE

⚠ WARNING!

TO HELP PREVENT SERIOUS OR FATAL INJURIES FROM ENTRAPMENT OR FALLS:

- PROHIBIT HORSEPLAY AND JUMPING ON OR UNDER BED(S).
- PERIODICALLY CHECK AND ENSURE THAT ALL THE COMPONENTS ARE IN THEIR PROPER POSITION, FREE FROM DAMAGE, AND THAT ALL CONNECTIONS ARE TIGHT.
- DO NOT SUBSTITUTE PARTS. PLEASE, CONTACT ROMINA FURNITURE FOR REPLACEMENT PARTS.
- THE USE OF WATER OR SLEEP FLOTATION MATTRESSES IS PROHIBITED.
- PACKAGING MATERIAL, SMALL PARTS & PLASTIC BAGS ARE HAZARDOUS TO SMALL CHILDREN. PLEASE DISPOSE OF THEM IMMEDIATELY!

KEEP THESE INSTRUCTIONS FOR FUTURE REFERENCE!

8515 & 8530
BOX CONTENT

**Please locate and confirm
you have the following parts:**

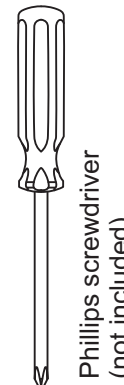
- FB.** - footboard = 1 (please see page 2 for footboard style, depending of your bed type)
- HB.** - headboard = 1 (please see page 2 for headboard style, depending of your bed type)
- BR.** - bed rail = 2
- SL.** - group of 7 support slats assembled with 2 textile ribbons = 2

One bag of hardware with the following:

1. wood screw (flat head 35mm - 1 3/8") = 8

COMPLETELY TIGHTEN the screws / bolts when you are asked to do this!

Regular cleaning with mild soap on a soft cloth, followed by a clean damp cloth, then a dry cloth, will preserve the original luster and beauty of this fine finish of your Romina Furniture product.



Note: The letters which identifies a part are the initials of the respective part name (such method is employed to facilitate parts recognition between the drawings and the parts list).

Required tools: Phillips screwdriver (not included)

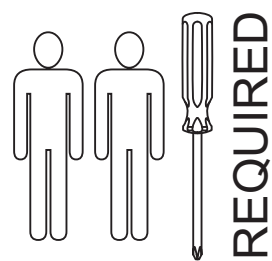
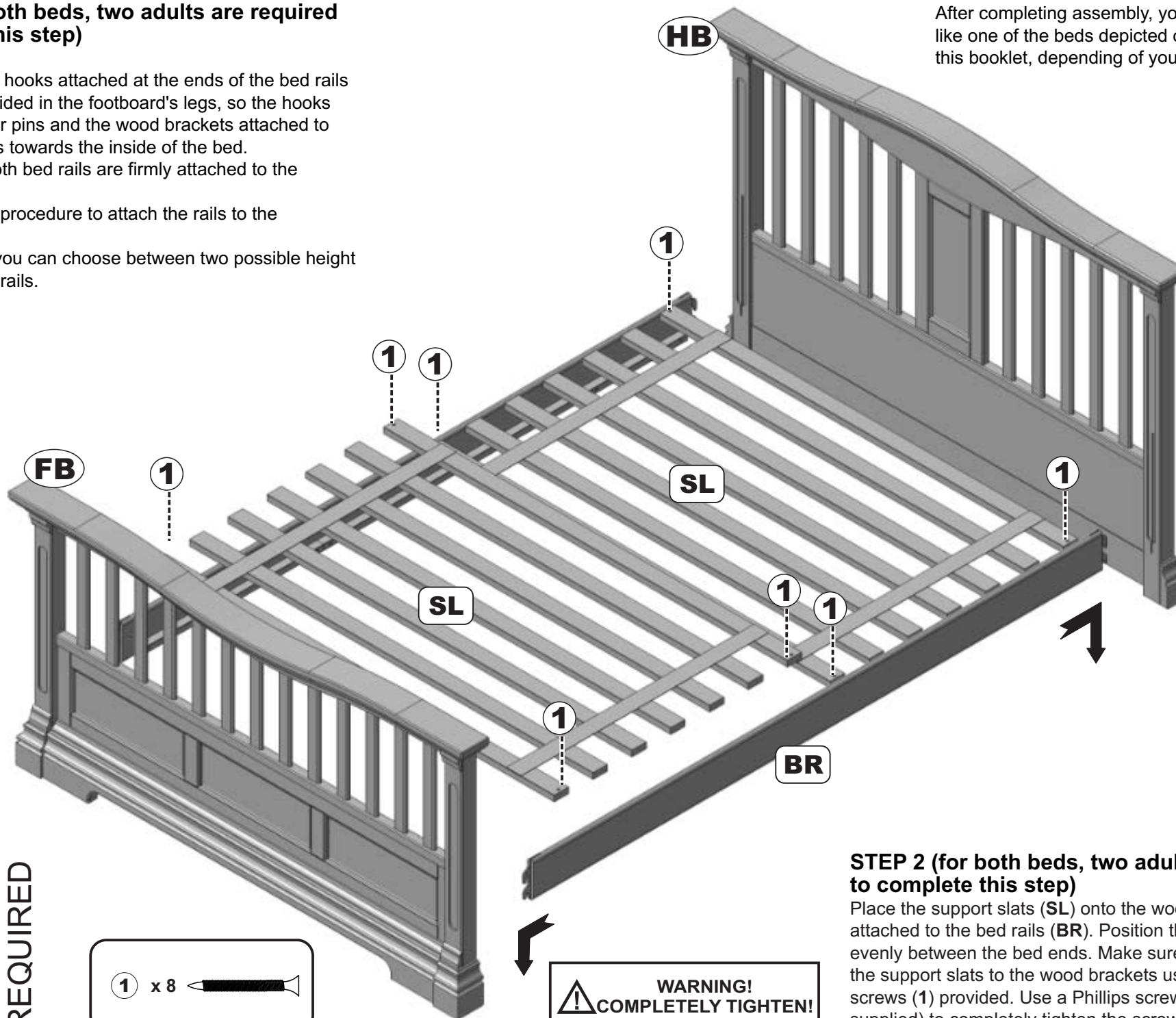
CAUTION: Do not use a power screwdriver which can cause screws to break or strip

Note: The product code is located on the inner side of the headboard or footboard, on a black and white label. Please, refer to this number in the event that you need to call ROMINA FURNITURE or your local distributor. Thank you.

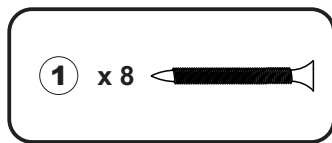
STEP 1 (for both beds, two adults are required to complete this step)

Insert the metallic hooks attached at the ends of the bed rails into the slots provided in the footboard's legs, so the hooks will catch the inner pins and the wood brackets attached to the bed rails faces towards the inside of the bed. Make sure that both bed rails are firmly attached to the footboard (FB). Repeat the same procedure to attach the rails to the headboard (HB). Please note that you can choose between two possible height levels for the bed rails.

After completing assembly, your bed should look like one of the beds depicted on the first page of this booklet, depending of your bed type.



REQUIRED



STEP 2 (for both beds, two adults are required to complete this step)

Place the support slats (SL) onto the wood brackets attached to the bed rails (BR). Position the support slats evenly between the bed ends. Make sure you firmly attach the support slats to the wood brackets using all the 8 wood screws (1) provided. Use a Phillips screwdriver (not supplied) to completely tighten the screws.

WARNING!
COMPLETELY TIGHTEN!