

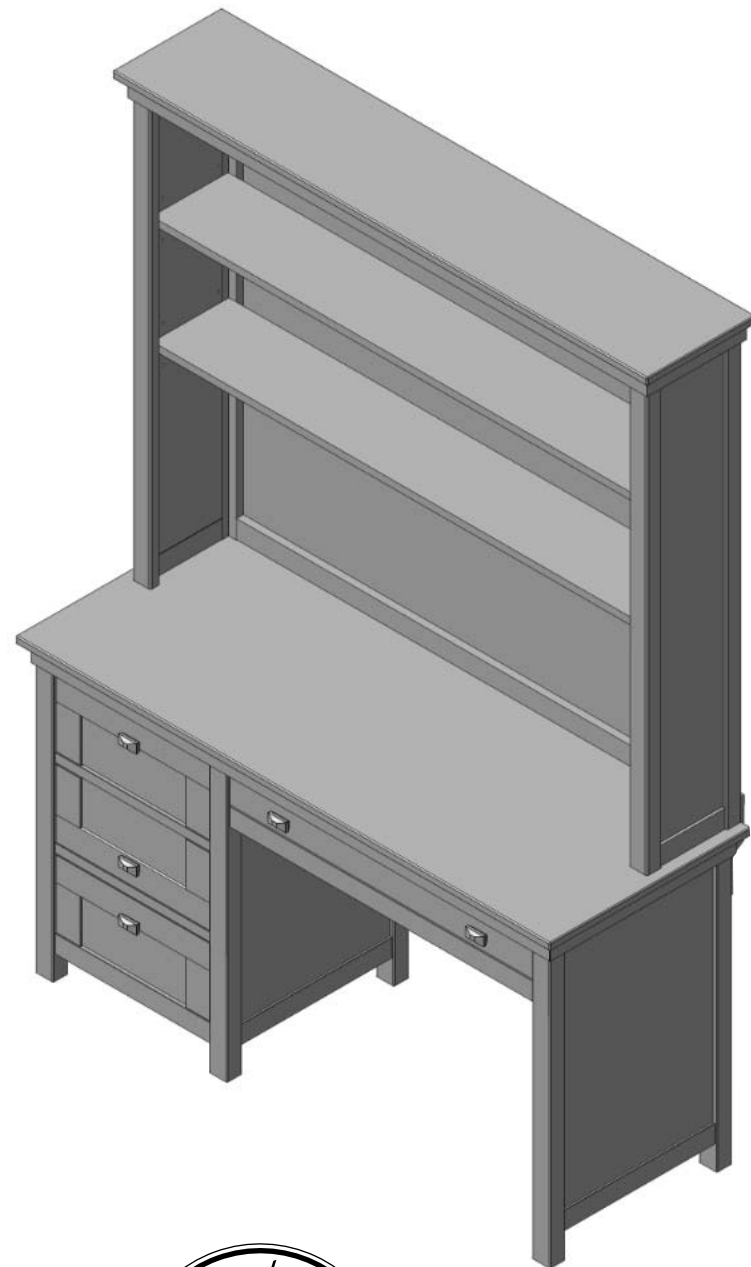
**ASSEMBLY INSTRUCTIONS  
FOR YOUR 5018 HUTCH  
ANTI-TILTING FEATURE  
(5018 over 5014)**

**IMPORTANT:**  
**PLEASE, READ ALL INSTRUCTIONS**  
**BEFORE ASSEMBLING!**  
**PLEASE, SAVE INSTRUCTIONS FOR**  
**FUTURE USE**

**WARNING:** THE PROPER FIXING OF YOUR HUTCH IS IMPORTANT FOR YOUR BABY'S SAFETY. TO KEEP YOUR BABY SECURE AND SAFE, AND TO AVOID POTENTIAL INJURY OR DEATH, CAREFULLY READ AND FAMILIARIZE YOURSELF WITH ALL WARNINGS, CAUTIONS AND INSTRUCTIONS IN THIS INSTRUCTION BOOKLET. KEEP THIS INSTRUCTION BOOKLET FOR FUTURE USE.

**DO NOT THROW THIS INSTRUCTION BOOKLET.**

NOTE: THE STYLE OF YOUR HUTCH OR DRESSER MAY VARY FROM WHAT IS PICTURED IN THE INSTRUCTION SHEET



20 Corporation Row, NJ 08817  
Phone (718) 478-5100, Fax (718) 478-5117  
[www.rominafurniture.com](http://www.rominafurniture.com)

Please locate and confirm that you have the following parts:

1. metallic bracket = 2 pcs.
2. wood screw (35mm - 1 3/8") = 10 pcs.

**Required tools:** Phillips screwdriver (not supplied).

**CAUTION: Do not use a power screwdriver which can cause screws and wood to break or strip.**

**CAUTION:** The hutch is only intended for use with certain cabinets.

Position the hutch over your desk.  
Make sure that the hutch is evenly spaced between the left side and the right side of the desk. Attach the metallic brackets to the back side of the hutch using the pre-drilled holes. On the back side of the desk mark the position of the woodscrews which will fix the hutch then, using a 5/64" drill bit, drill pilot holes to prevent wood cracking when inserting the woodscrews. Fix the entire assembly to the back side of the desk. Completely tighten all the ten wood screws.

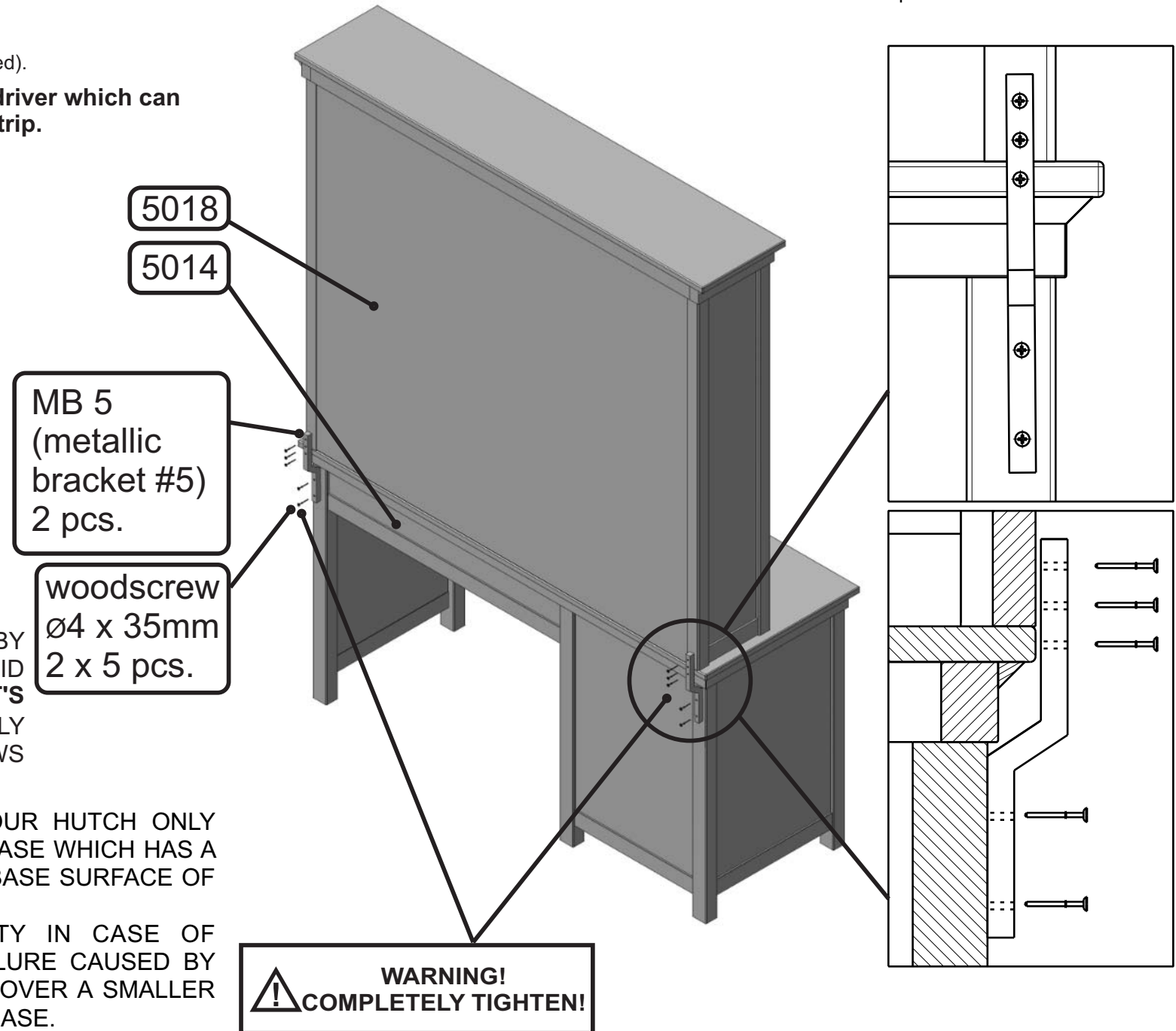
**CAUTION: ALWAYS USE BOTH METALLIC BRACKETS AND ALL THE TEN WOOD SCREWS TO FIX YOUR HUTCH TO THE DESK!**

**WARNING:** TO KEEP YOUR BABY SECURE AND SAFE, AND TO AVOID POTENTIAL INJURY OR DEATH, IT'S **VERY IMPORTANT** TO COMPLETELY TIGHTEN ALL THE 10 WOOD SCREWS LISTED ABOVE.

**CAUTION:** YOU MUST PLACE YOUR HUTCH ONLY OVER A ROMINA RECOMMENDED CASE WHICH HAS A TOP SURFACE BIGGER THAN THE BASE SURFACE OF THE HUTCH.

WE ASSUME NO RESPONSIBILITY IN CASE OF STRUCTURAL OR OTHERWISE FAILURE CAUSED BY THE POSITIONING OF THE HUTCH OVER A SMALLER SURFACE OR OVER A NON-ROMINA CASE.

**NOTE:** Only mirrors and hutches have pre-drilled holes on the back side for fixing the anti-tilting feature. The ROMINA cases are not pre-drilled.



**WARNING!**  
**COMPLETELY TIGHTEN!**