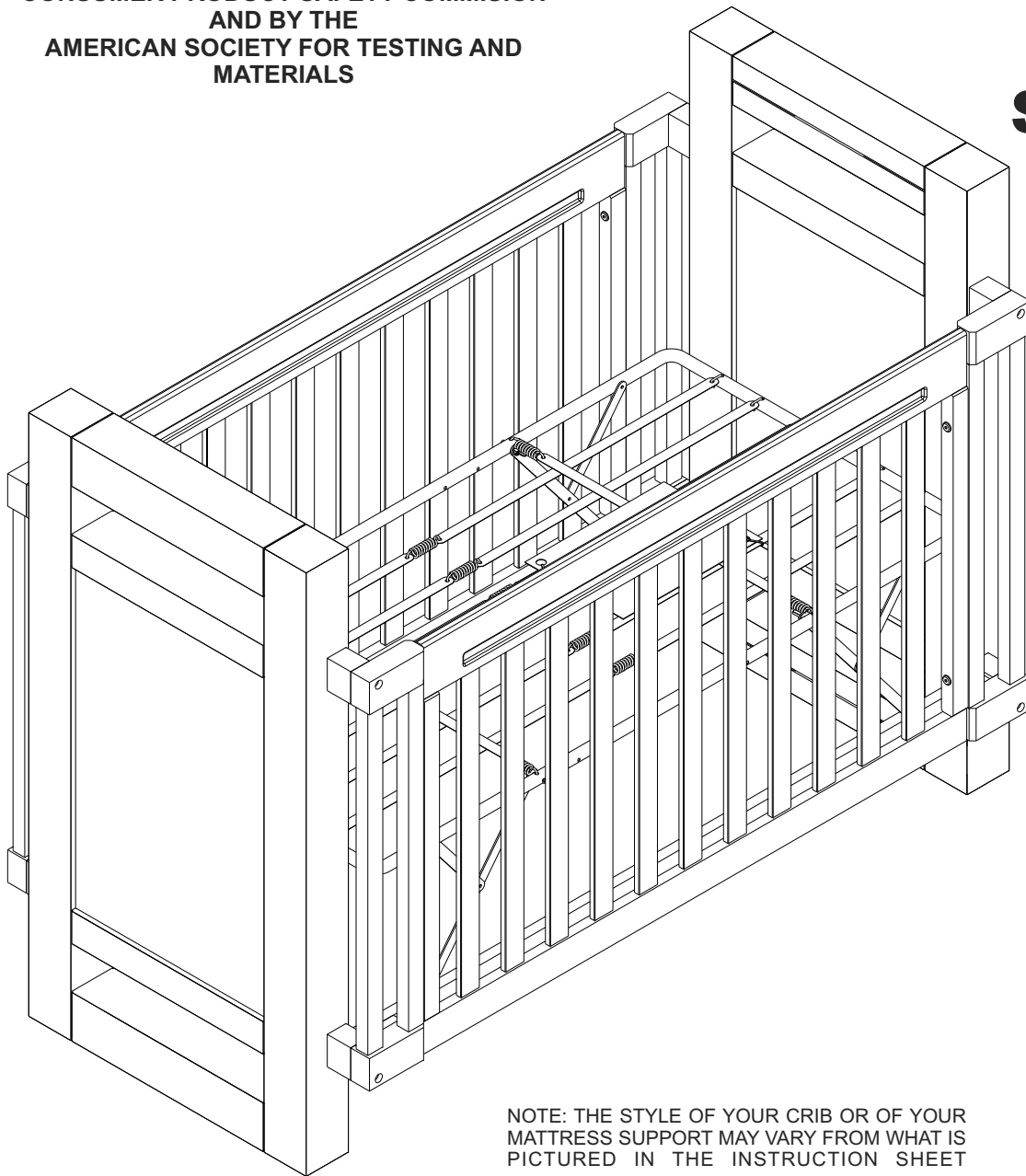


THIS CRIB CONFORMS TO APPLICABLE
REGULATIONS PROMULGATED BY THE
CONSUMER PRODUCT SAFETY COMMISSION
AND BY THE
AMERICAN SOCIETY FOR TESTING AND
MATERIALS



NOTE: THE STYLE OF YOUR CRIB OR OF YOUR
MATTRESS SUPPORT MAY VARY FROM WHAT IS
PICTURED IN THE INSTRUCTION SHEET

ASSEMBLY INSTRUCTIONS

FOR YOUR 4510s

STATIONARY / CONVERTIBLE CRIB

WARNING: THE PROPER USE OF THIS CRIB IS IMPORTANT FOR YOUR BABY'S SAFETY. TO KEEP YOUR BABY SECURE AND SAFE, AND TO AVOID POTENTIAL INJURY OR DEATH, CAREFULLY READ AND FAMILIARIZE YOURSELF WITH ALL WARNINGS, CAUTIONS AND INSTRUCTIONS IN THE INSTRUCTION BOOKLET. KEEP THIS INSTRUCTION BOOKLET FOR FUTURE USE.

DO NOT THROW THIS INSTRUCTION BOOKLET.

- * READ ALL INSTRUCTIONS BEFORE ASSEMBLING CRIB. KEEP INSTRUCTIONS FOR FUTURE USE.
- * NEVER USE PLASTIC SHIPPING BAGS OR OTHER PLASTIC FILM AS MATTRESS COVERS BECAUSE THEY CAN CAUSE SUFFOCATION.
- * INFANTS CAN SUFFOCATE IN GAPS BETWEEN CRIB SIDES AND A MATTRESS THAT IS TOO SMALL.

Romina[®]
furniture

20 Corporation Row, Edison, NJ 08817
Phone (718) 478 5100, Fax (718) 478 5117
www.rominakidsfurniture.com

⚠️ WARNING! INFANTS CAN SUFFOCATE ON SOFT BEDDING. NEVER ADD A PILLOW OR COMFORTER. NEVER PLACE ADDITIONAL PADDING UNDER AN INFANT. FAILURE TO FOLLOW THESE WARNINGS AND ASSEMBLY INSTRUCTIONS COULD RESULT IN SERIOUS INJURY OR DEATH.

CAUTION: ANY MATTRESS USED IN THIS CRIB SHALL BE AT LEAST 27 1/4 BY 51 5/8 IN. WITH A THICKNESS NOT EXCEEDING 6 IN.

- TO REDUCE THE RISK OF SIDS, PEDIATRICIANS RECOMMEND HEALTHY INFANTS BE PLACED ON THEIR BACKS TO SLEEP, UNLESS OTHERWISE ADVISED BY YOUR PHYSICIAN.

STRANGULATION HAZARD:

- STRINGS CAN CAUSE STRANGULATION! **DO NOT** PLACE ITEMS WITH A STRING AROUND A CHILD'S NECK, SUCH AS HOOD STRINGS OR PACIFIER CORDS. **DO NOT** SUSPEND STRINGS OVER A CRIB OR ATTACH STRINGS TO TOYS.
- TO HELP PREVENT STRANGULATION TIGHTEN ALL FASTENERS. A CHILD CAN TRAP PARTS OF THE BODY OR CLOTHING ON LOOSE FASTENERS.
- **DO NOT** PLACE CRIB NEAR WINDOW WHERE CORDS FROM BLINDS OR DRAPES MAY STRANGLE A CHILD.

FALL HAZARD:

- WHEN CHILD IS ABLE TO PULL TO A STANDING POSITION, SET MATTRESS TO LOWEST POSITION AND REMOVE BUMPER PADS, LARGE TOYS AND OTHER OBJECTS THAT COULD SERVE AS STEPS FOR CLIMBING OUT.
- STOP USING CRIB WHEN CHILD BEGINS TO CLIMB OUT OR REACHES THE HEIGHT OF 35 IN. (89 CM).
- CHECK THIS PRODUCT FOR DAMAGED HARDWARE, LOOSE JOINTS, LOOSE BOLTS OR OTHER FASTENERS, MISSING PARTS, OR SHARP EDGES BEFORE AND AFTER ASSEMBLY AND FREQUENTLY DURING USE. SECURELY TIGHTEN LOOSE BOLTS AND OTHER FASTENERS. **DO NOT** USE CRIB IF ANY PARTS ARE MISSING, DAMAGED OR BROKEN. CONTACT **ROMINA FURNITURE** FOR REPLACEMENT PARTS AND INSTRUCTIONAL LITERATURE IF NEEDED. **DO NOT** SUBSTITUTE PARTS.
- IF REFINISHING, USE A NON-TOXIC FINISH SPECIFIED FOR CHILDREN'S PRODUCTS.
- FOLLOW WARNINGS ON ALL PRODUCTS IN A CRIB.
- READ ALL INSTRUCTIONS BEFORE ASSEMBLING CRIB. **KEEP INSTRUCTIONS FOR FUTURE USE.** A STORAGE POUCH & 2 PLASTIC TIES HAVE BEEN PROVIDED IN THE HARDWARE BAG. ATTACH POUCH TO MATTRESS SUPPORT WITH PLASTIC TIES AND STORE THE INSTRUCTIONS THERE.
- **NEVER** USE PLASTIC SHIPPING BAGS OR OTHER PLASTIC FILM AS MATTRESS COVERS BECAUSE THEY CAN CAUSE SUFFOCATION.
- INFANTS CAN SUFFOCATE IN GAPS BETWEEN CRIB SIDES AND A MATTRESS THAT IS TOO SMALL.
- **DO NOT** USE A WATER MATTRESS WITH THIS CRIB.
- BEFORE USING THIS CRIB RECHECK ALL SCREWS AND BOLTS TO BE SURE THEY ARE FASTENED SECURELY. A PERIODIC CHECK SHOULD BE MADE TO BE SURE THESE ITEMS REMAIN TIGHT.
- TO AVOID HEAD INJURY, **DO NOT** ALLOW ANY CHILD TO PLAY UNDERNEATH CRIB.

CAUTION:

*WHEN A CHILD'S HEIGHT REACHES 35 INCHES, THE CHILD SHOULD BE PLACED IN A YOUTH OR REGULAR BED.

*USE OF A VAPORIZER NEAR FURNITURE WILL CAUSE WOOD TO SWELL AND FINISH TO PEEL.

*DO NOT STORE CRIB IN AREAS WHERE TEMPERATURES AND CONDITIONS ARE EXTREME, SUCH AS HOT ATTICS OR COLD DAMP BASEMENTS. BOTH OF THESE EXTREME CONDITIONS MAY CAUSE THE WOOD TO CRACK AND GLUE JOINTS TO LOOSEN RESULTING IN STRUCTURAL FAILURE.

*SHOULD IT BECOME DESIRABLE TO REFINISH THIS CRIB IN LATER YEARS, THE MANUFACTURER WARNS THAT ANY MATERIAL USED SHOULD BE NON-TOXIC. REGULAR CLEANING WITH MILD SOAP ON A SOFT CLOTH, FOLLOWED BY A CLEAN DAMP CLOTH, THEN A DRY CLOTH, WILL PRESERVE THE ORIGINAL LUSTER AND BEAUTY OF THIS FINE FINISH.

*THIS CRIB IS NOT EQUIPPED TO HANDLE THE EXCESS WEIGHT OF A CRIB WATER MATTRESS.

*LIFT SLIGHTLY WHEN MOVING ON CARPETING TO PREVENT LEG BREAKAGE.

ENSURE A SAFE ENVIRONMENT FOR THE CHILD BY CHECKING REGULARLY, BEFORE PLACING THE CHILD IN THE CRIB, THAT EVERY COMPONENT IS PROPERLY AND SECURELY IN PLACE.

MAINTENANCE OF YOUR ROMINA CONVERTIBLE CRIB:

AFTER YOU FINISH ASSEMBLING YOUR CRIB, BE SURE THAT ALL BOLTS HAVE BEEN TIGHTENED SECURELY. YOU MUST CHECK ALL BOLTS PERIODICALLY AND RE-TIGHTEN AS NECESSARY. PERIODICALLY INSPECT CRIB FOR DAMAGED HARDWARE, LOOSE JOINTS OR SPLINTERED EDGES.

DO NOT USE CRIB IF PARTS ARE DAMAGED OR BROKEN! CONTACT YOUR DEALER OR ROMINA FURNITURE FOR ASSISTANCE AND REPLACEMENT PARTS. PLEASE BE SURE TO HAVE YOUR MODEL CODE WRITTEN DOWN BEFORE YOU MAKE CONTACT. THE MODEL CODE CAN BE FOUND ON A WHITE LABEL LOCATED ON THE INSIDE OF YOUR CRIB ON THE SIDE PANEL.

NEVER SUBSTITUTE PARTS OR MAKE ALTERATIONS TO YOUR CRIB!

Please locate and confirm that you have the following parts:

- F. fixed side = 2
- P. panel = 2
- S. stabilizing bars = 2
- M. mattress support = 1
- CP. corner piece = 4

one bag of hardware with the following:

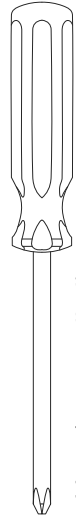
1. Allen wrench = 1
2. one storage pouch and two plastic ties
3. Allen bolts (1 31/32" or 50 mm) = 8
4. Allen bolts (2 3/8" or 60 mm) = 4
5. Allen bolts (3 15/16" or 100 mm) = 8
6. barrel nuts = 4
7. round head bolts (1 3/16" or 30 mm) = 4
8. round head bolts (19/32" or 15 mm) = 4
9. "butterfly" type nut = 4
10. bigger "internal star" lock washer = 20
11. smaller "external star" lock washer = 8

Required tools: Allen wrench (supplied), Phillips screwdriver (not supplied), flat screwdriver (not supplied).

CAUTION: Do not use a power screwdriver which can cause screws to break or strip

Note: During the assembly process whenever using screws or bolts, check each by placing the screw / bolt on the upper diagram which is drawn in actual size. Be sure to use the proper size and shape specified in the instructions.

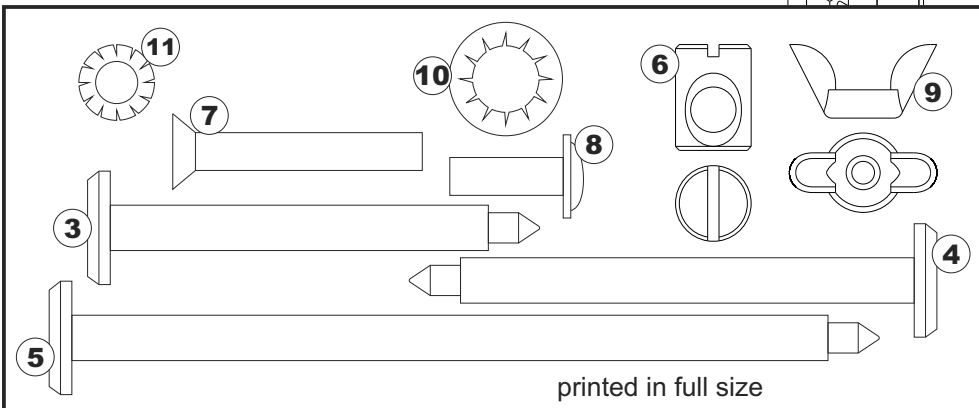
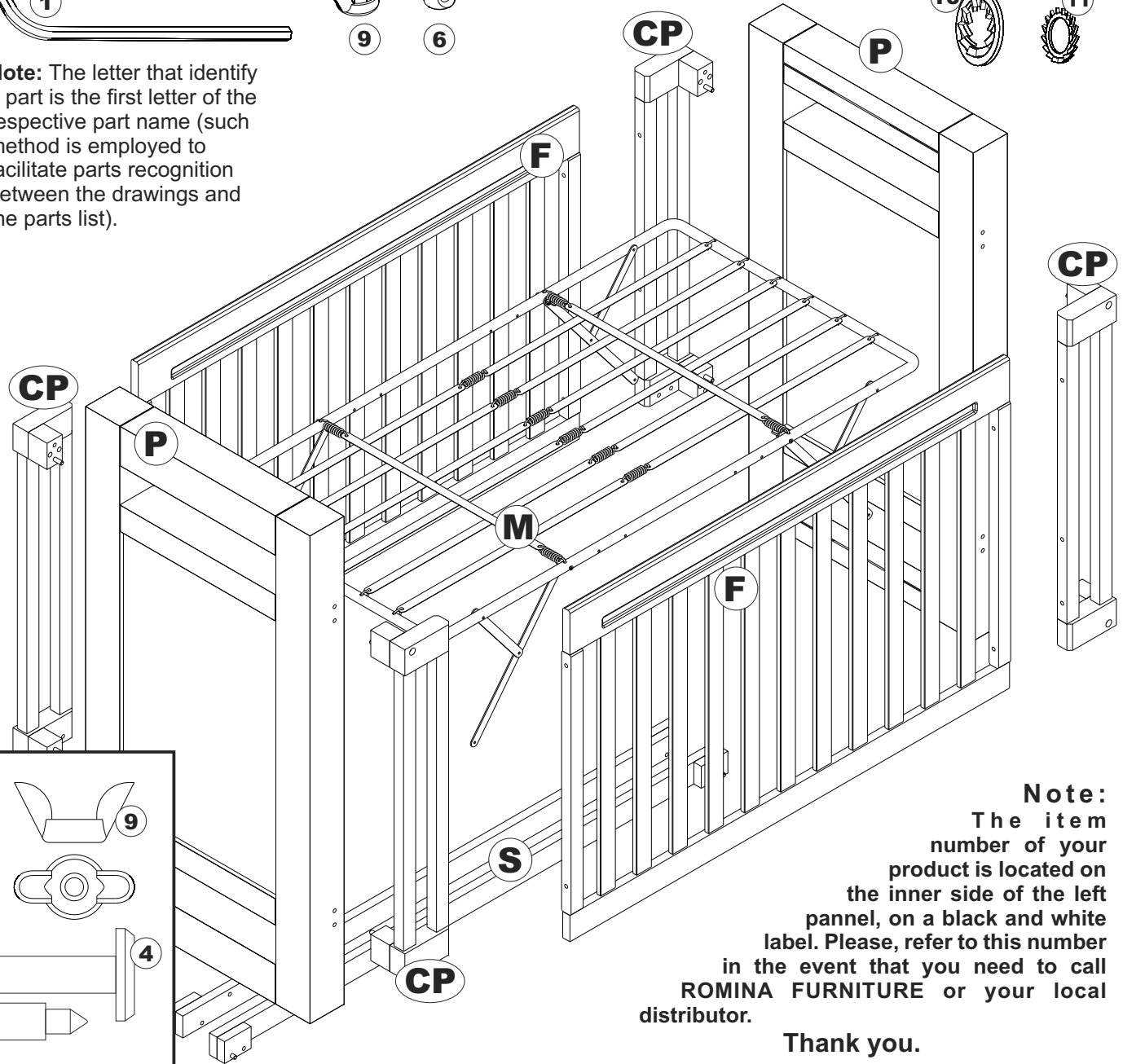
Be sure to **TIGHTEN COMPLETELY** the screws / bolts when you are asked to do this.



Phillips screwdriver (not supplied)



Note: The letter that identify a part is the first letter of the respective part name (such method is employed to facilitate parts recognition between the drawings and the parts list).



printed in full size

Note:
The item number of your product is located on the inner side of the left pannel, on a black and white label. Please, refer to this number in the event that you need to call ROMINA FURNITURE or your local distributor.

Thank you.

STEP 1

Attach two corner pieces (**CP**) to one of the fixed sides (**F**) using 4 smaller Allen bolts (**3**), 4 washers (**10**) and the Allen wrench supplied (**1**).

Then attach one of the stabilizing bars (**S**) (follow the instructions attached to the stabilizing bar) to the corner pieces (**CP**) using 2 medium Allen bolts (**4**), 2 washers (**10**), 2 barrel nuts (**6**) and the Allen wrench supplied (**1**). Push the barrel nut into the hole drilled in the corner piece then align the straight slot in the head of the barrel nut vertically, so the threads in the bolt will insert in the barrel nut. You can adjust the position of the barrel nut with a flat head screwdriver (not supplied) or a coin.

Push the Allen bolt through the stabilizing bar. Start the threads by hand to assure you don't strip the threads, then use the supplied Allen wrench.

Repeat the same actions for the second fixed side (**F**) & stabilizing bar (**SB**).

**TAKE CARE NOT TO
SCRATCH THE FINISH
OF YOUR PARTS!**

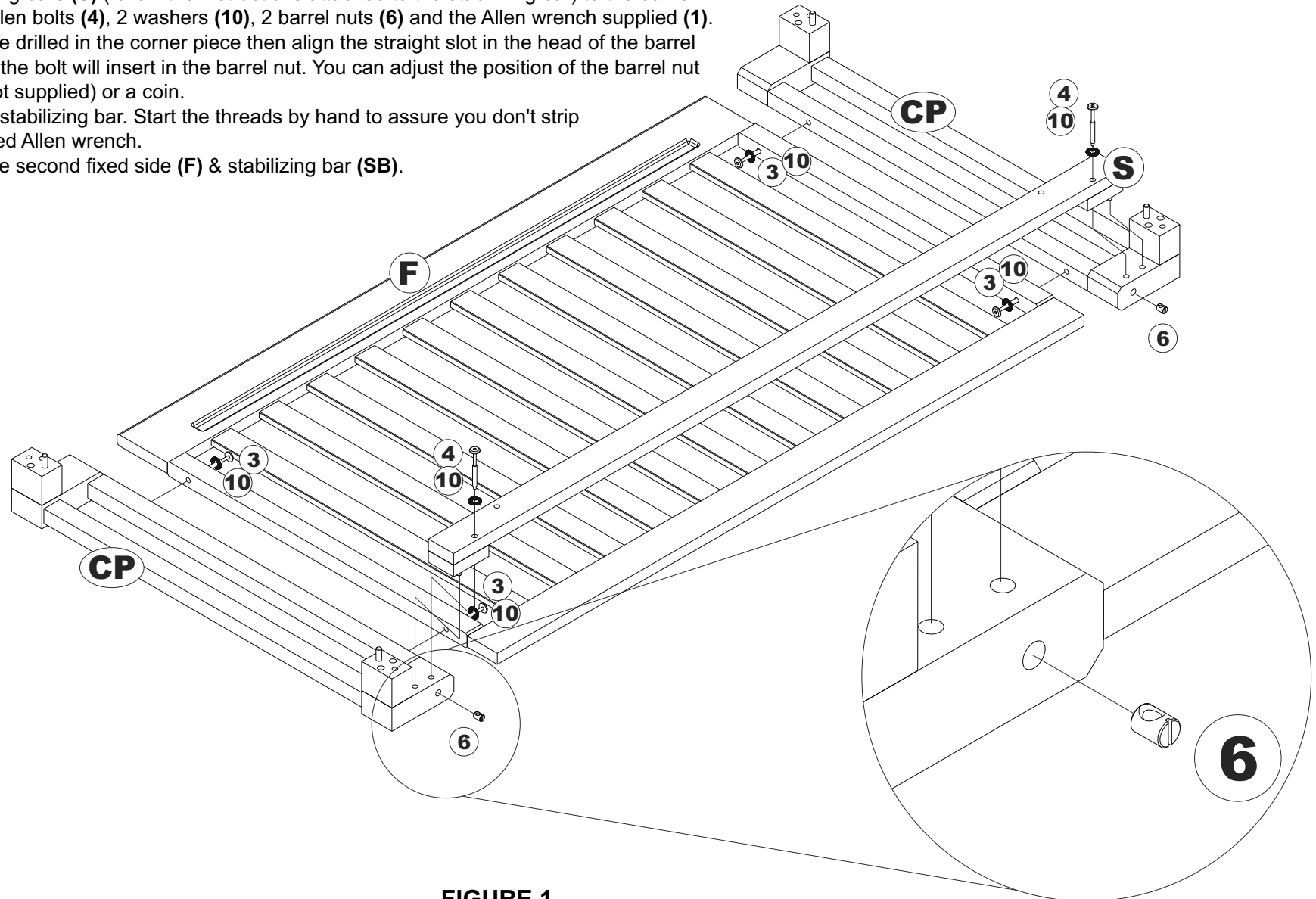


FIGURE 1

STEP 2

Tighten completely all the 12 Allen bolts used in STEP 1 for both fixed sides.

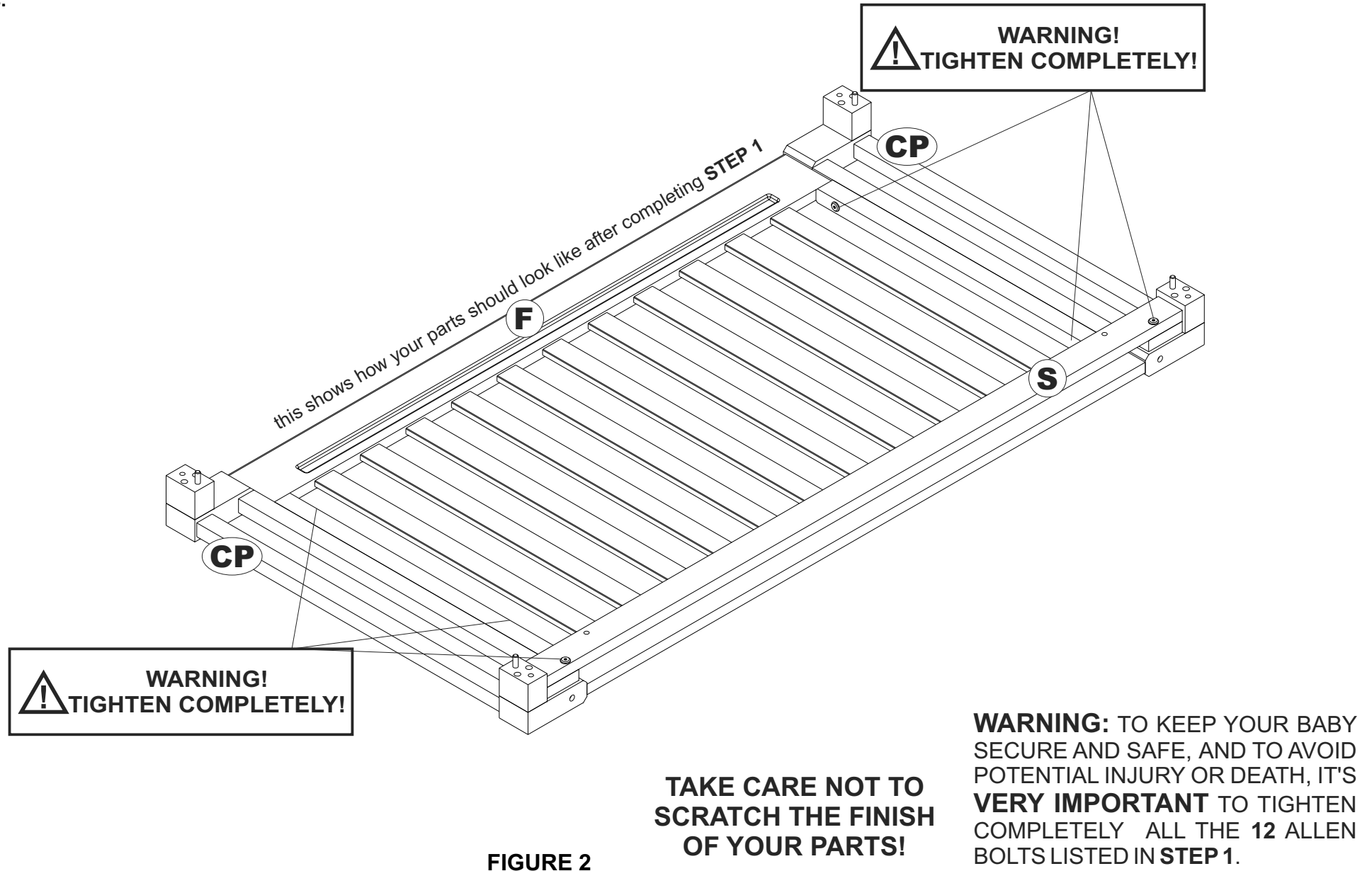


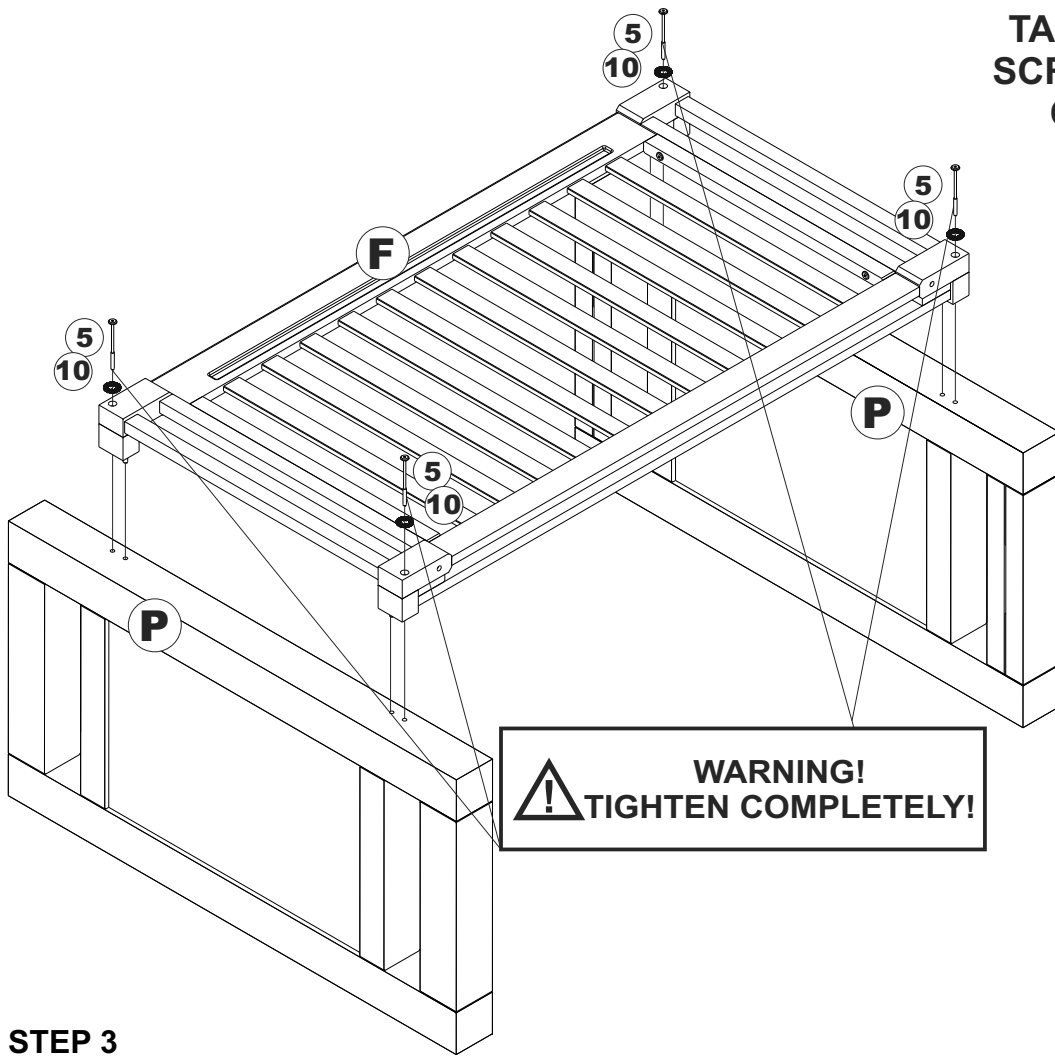
FIGURE 2

TAKE CARE NOT TO SCRATCH THE FINISH OF YOUR PARTS!

WARNING: TO KEEP YOUR BABY SECURE AND SAFE, AND TO AVOID POTENTIAL INJURY OR DEATH, IT'S **VERY IMPORTANT** TO TIGHTEN COMPLETELY ALL THE 12 ALLEN BOLTS LISTED IN **STEP 1**.

**TAKE CARE NOT TO
SCRATCH THE FINISH
OF YOUR CRIB!**

WARNING: TO KEEP YOUR BABY
SECURE AND SAFE, AND TO AVOID
POTENTIAL INJURY OR DEATH, IT'S
VERY IMPORTANT TO TIGHTEN
COMPLETELY ALL THE 8 ALLEN BOLTS
LISTED IN **STEP 3**.



STEP 3

Attach the parts of your crib as they resulted after **STEP 2** to the end panels (**P**) using 8 bigger Allen bolts (**5**), 8 washers (**10**) and the supplied Allen wrench (**1**).

Tighten completely all the 8 bigger bolts!

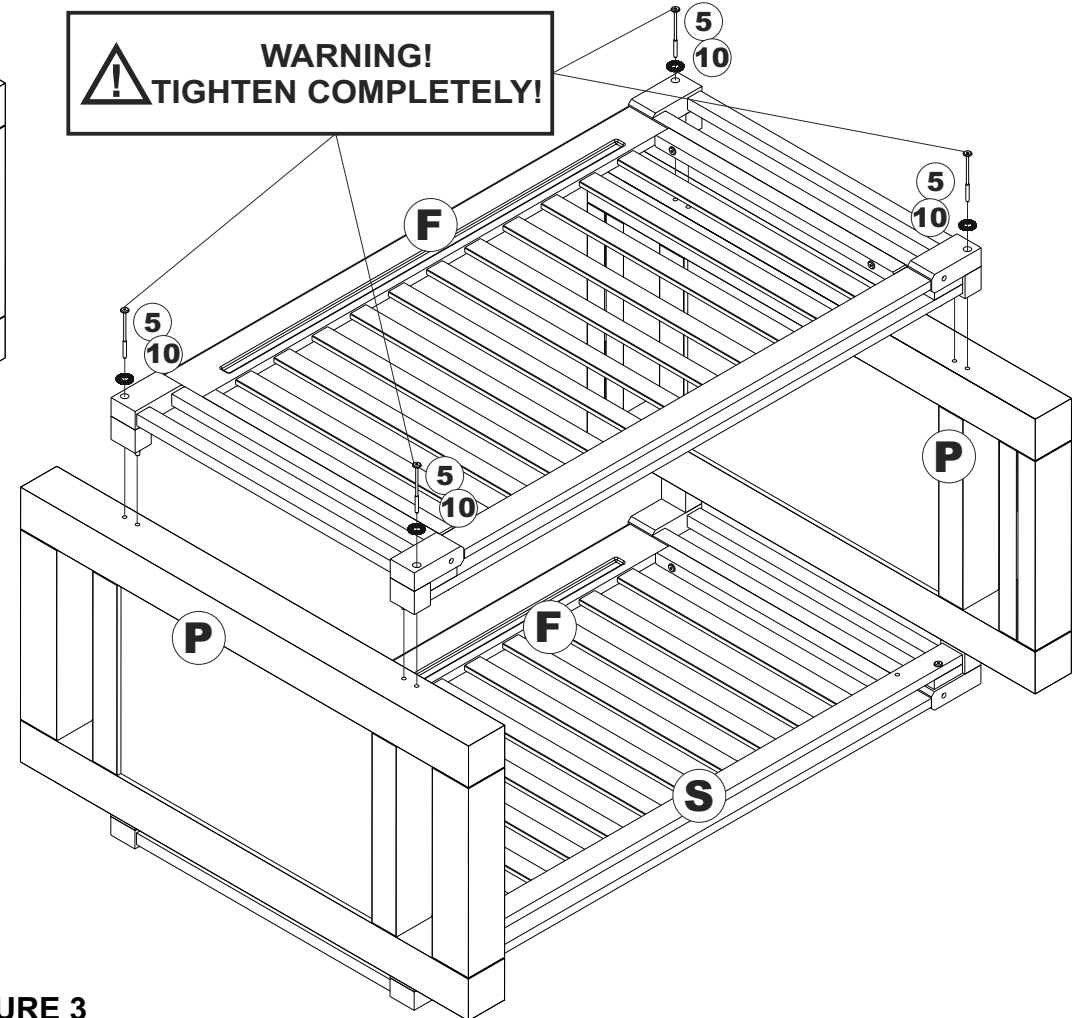
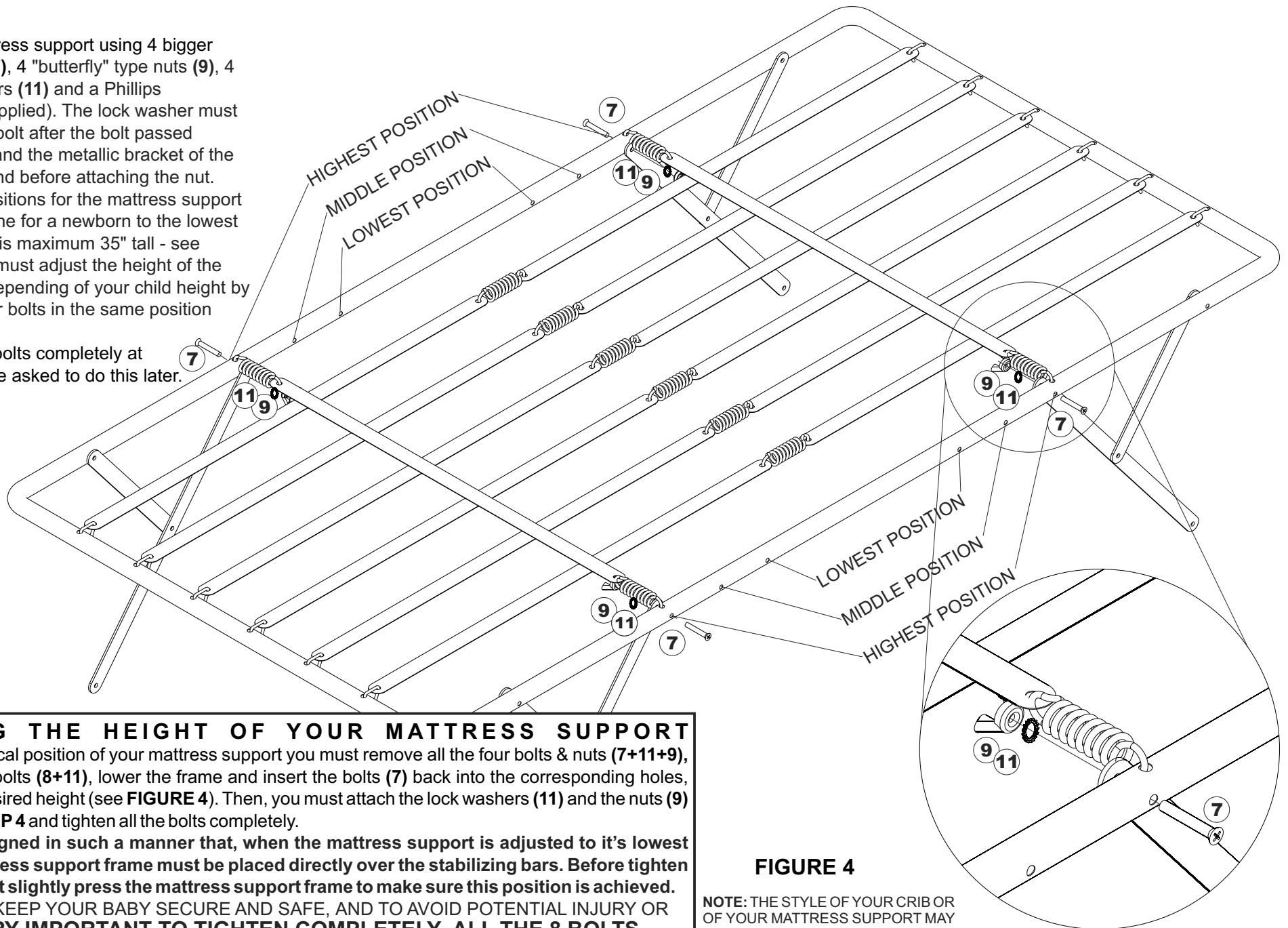


FIGURE 3

STEP 4

Assemble the mattress support using 4 bigger round head bolts (7), 4 "butterfly" type nuts (9), 4 smaller lock washers (11) and a Phillips screwdriver (not supplied). The lock washer must be attached to the bolt after the bolt passed through the frame and the metallic bracket of the mattress support and before attaching the nut. There are three positions for the mattress support (from the highest one for a newborn to the lowest one for a child that is maximum 35" tall - see caution note). You must adjust the height of the mattress support depending of your child height by inserting all the four bolts in the same position (see **FIGURE 4**).

Do not tighten the bolts completely at this step, you will be asked to do this later.



ADJUSTING THE HEIGHT OF YOUR MATTRESS SUPPORT

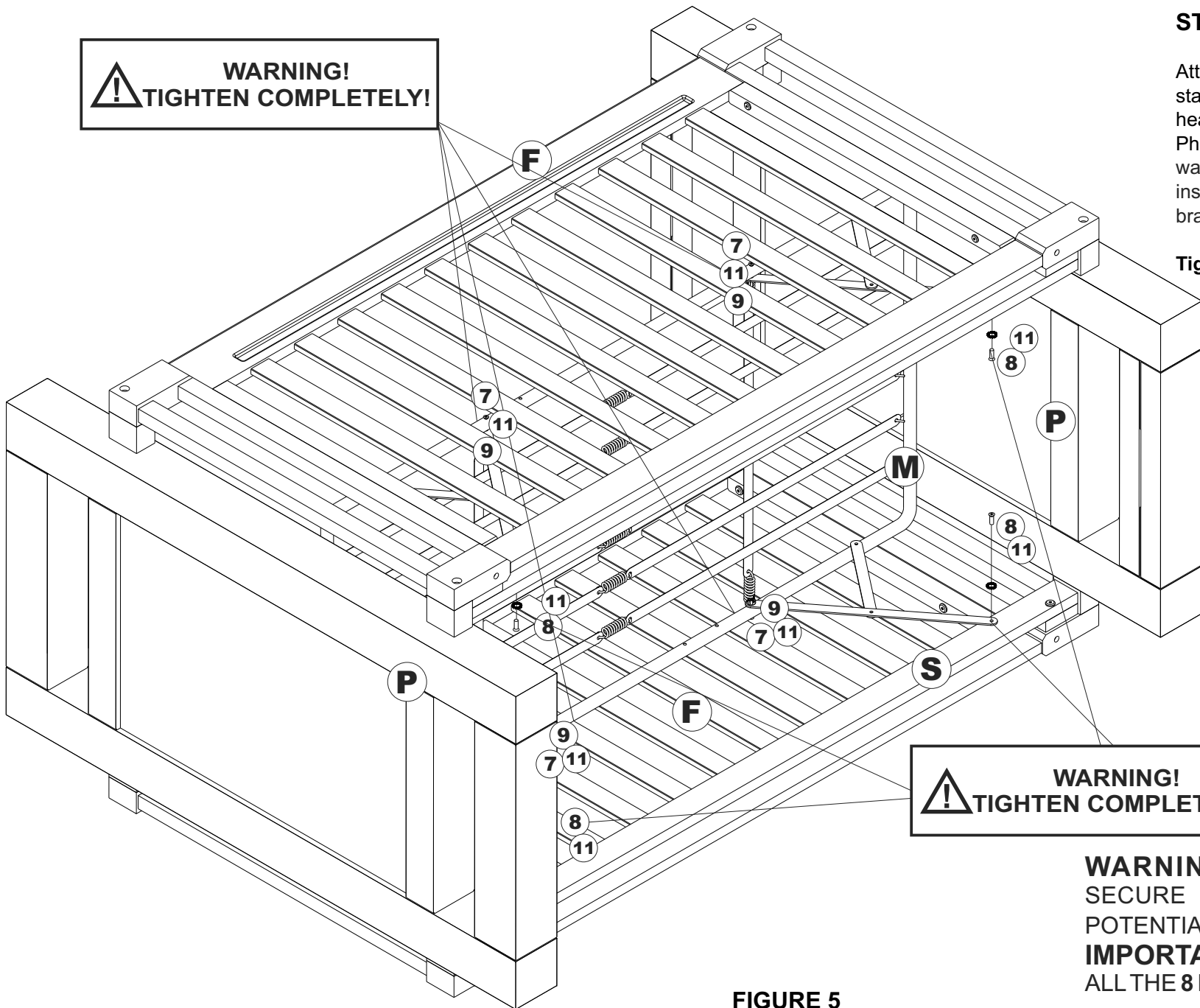
To adjust the vertical position of your mattress support you must remove all the four bolts & nuts (7+11+9), loosen all the four bolts (8+11), lower the frame and insert the bolts (7) back into the corresponding holes, according to the desired height (see **FIGURE 4**). Then, you must attach the lock washers (11) and the nuts (9) as described in **STEP 4** and tighten all the bolts completely.

Your crib is designed in such a manner that, when the mattress support is adjusted to its lowest position, the mattress support frame must be placed directly over the stabilizing bars. Before tighten the bolts, you must slightly press the mattress support frame to make sure this position is achieved.

WARNING: TO KEEP YOUR BABY SECURE AND SAFE, AND TO AVOID POTENTIAL INJURY OR DEATH, IT'S VERY IMPORTANT TO TIGHTEN COMPLETELY ALL THE 8 BOLTS (7+11+9) & (8+11) AFTER YOU HAVE ADJUSTED THE HEIGHT OF YOUR MATTRESS SUPPORT.

FIGURE 4

NOTE: THE STYLE OF YOUR CRIB OR OF YOUR MATTRESS SUPPORT MAY VARY FROM WHAT IS PICTURED IN THE INSTRUCTION SHEET



STEP 5

Attach the mattress support (**M**) to the stabilizing bars (**S**) using 4 smaller round head bolts (**8**), 4 smaller washers (**11**) and a Phillips screwdriver (not supplied). The lock washer must be attached to the bolt before inserting the bolt through the metallic bracket of the mattress support.

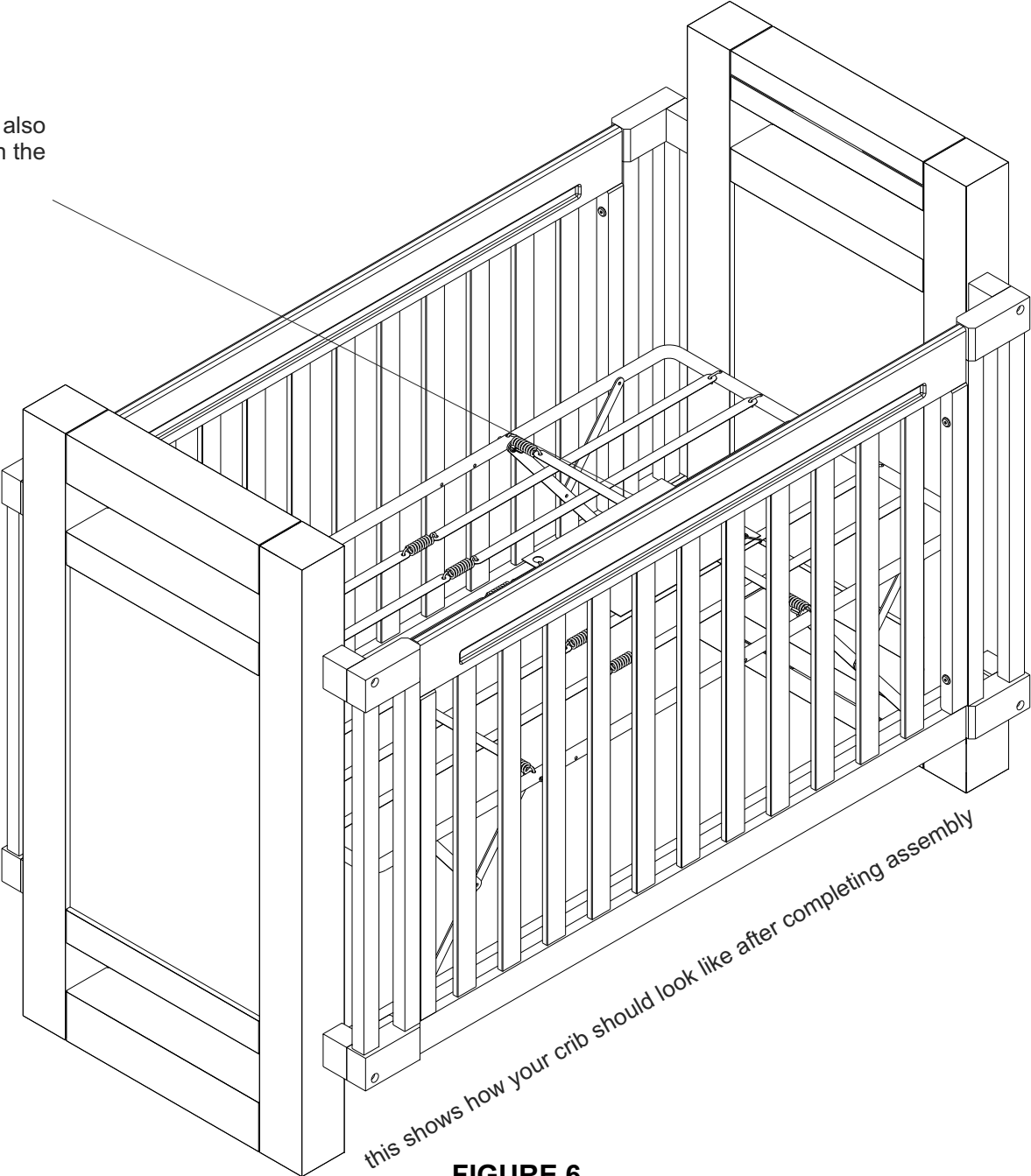
Tighten completely all the 8 bolts & nuts (7+11+9, 8+11) involved in mattress support fixing using a Phillips screwdriver (not supplied)!

WARNING!
TIGHTEN COMPLETELY!

WARNING: TO KEEP YOUR BABY SECURE AND SAFE, AND TO AVOID POTENTIAL INJURY OR DEATH, IT'S **VERY IMPORTANT** TO TIGHTEN COMPLETELY ALL THE 8 BOLTS LISTED IN **STEP 5**.

FIGURE 5

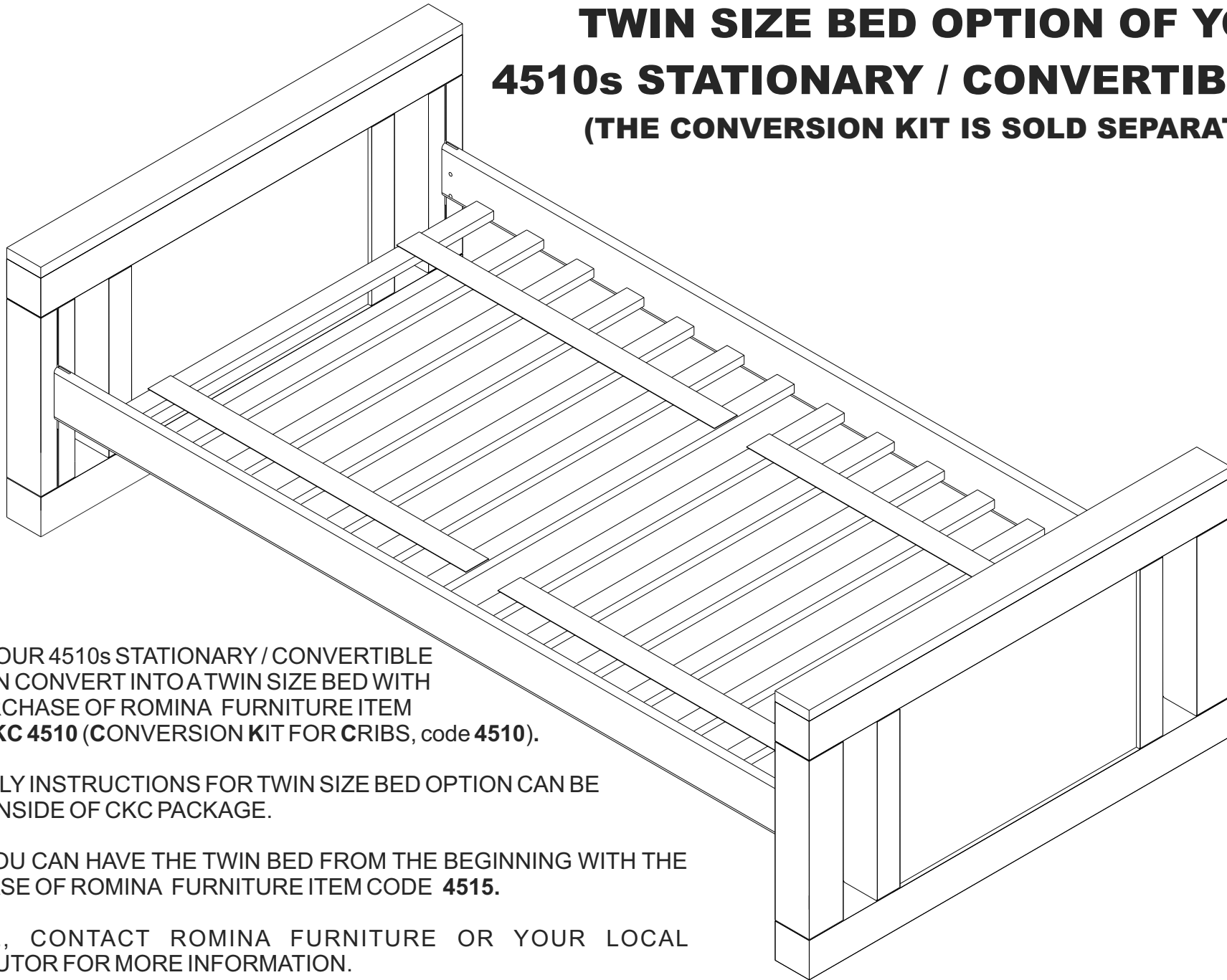
After you completed **STEP 5**, attach the storage pouch supplied to the mattress support spring using the two plastic ties also supplied. Store this instruction booklet in the storage pouch for future use.



this shows how your crib should look like after completing assembly

FIGURE 6

**TWIN SIZE BED OPTION OF YOUR
4510s STATIONARY / CONVERTIBLE CRIB
(THE CONVERSION KIT IS SOLD SEPARATELY)**



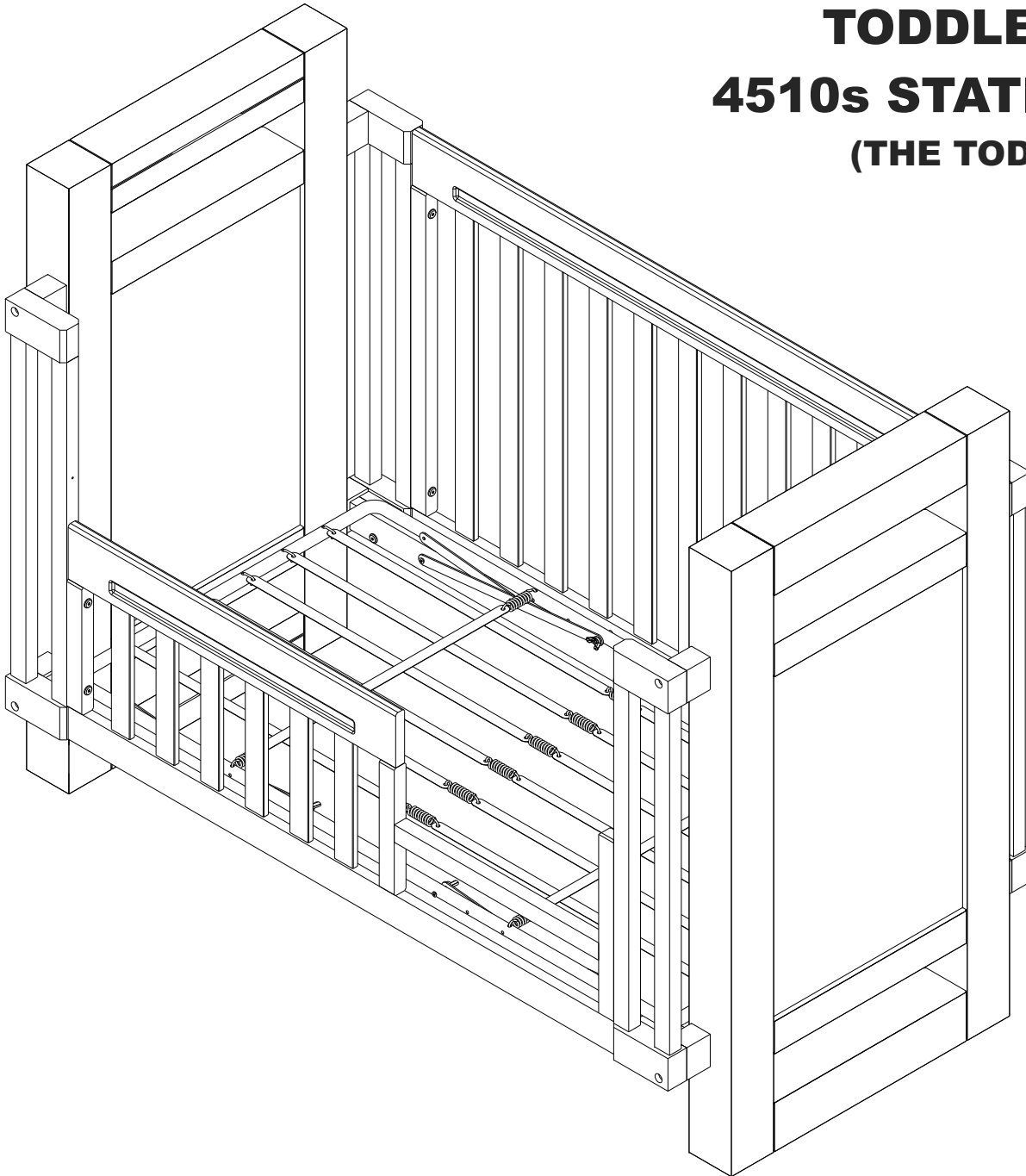
NOTE: YOUR 4510s STATIONARY / CONVERTIBLE CRIB CAN CONVERT INTO A TWIN SIZE BED WITH THE PURCHASE OF ROMINA FURNITURE ITEM CODE **CKC 4510** (CONVERSION KIT FOR CRIBS, code **4510**).

ASSEMBLY INSTRUCTIONS FOR TWIN SIZE BED OPTION CAN BE FOUND INSIDE OF CKC PACKAGE.

ALSO, YOU CAN HAVE THE TWIN BED FROM THE BEGINNING WITH THE PURCHASE OF ROMINA FURNITURE ITEM CODE **4515**.

PLEASE, CONTACT ROMINA FURNITURE OR YOUR LOCAL DISTRIBUTOR FOR MORE INFORMATION.

**TODDLER RAIL OPTION OF YOUR
4510s STATIONARY / CONVERTIBLE CRIB
(THE TODDLER RAIL IS SOLD SEPARATELY)**



NOTE: YOU CAN ATTACH A TODDLER RAIL TO YOUR CRIB WITH THE PURCHASE OF ROMINA FURNITURE ITEM **TR 4510** (TODDLER RAIL 4510).

ASSEMBLY INSTRUCTIONS FOR TODDLER RAIL CAN BE FOUND INSIDE OF THE TR 4510 PACKAGE.

PLEASE, CONTACT ROMINA FURNITURE OR YOUR LOCAL DISTRIBUTOR FOR MORE INFORMATION.

GENERAL FURNITURE CARE TIPS

- Wood, like any natural material is likely to present variations of grain and texture which will result in slight color variations or richness in the finish. These differences make each Romina furniture item as beautiful and unique as you and your baby are.
- To preserve the initial appearance and functionality of your furniture, it is recommended that all furniture items be used in accordance with their intended design.
- Special water-based finishes are used to make this furniture safe for your baby. These finishes may be more delicate than those used on adult furniture thus requiring careful maintenance.
- Constant rubbing or mechanical interaction with sharp/hard objects such as belt buckles, jeans' zippers or buttons will likely damage the finish on your furniture. When placing or retrieving items onto the furniture, always set them down and pick them up, do not "slide" them. Items placed onto the horizontal surfaces must be moved/rotated to prevent discoloration in the finish.
- Exposure to extreme variations of environmental conditions such as humidity and temperature can affect the finish quality due to wood sudden expansion or shrinkage. It is recommended that the room temperature be maintained in between 65 and 75 degrees Fahrenheit and a relative humidity of 35 – 40 %. Do not place items which are too hot or too cold directly onto the finished surfaces!
- Use caution when using a humidifier or vaporizer. Excessive moisture is harmful to the furniture causing the finish to peel and the wood to warp.
- Wipe up spills promptly. If water or other liquids stay in contact with the furniture for a long period of time, they can cause the finish to turn white or discolor. Alcohol or solvent containing substances or materials will permanently damage the finish.
- In general, furniture should not be placed in front or too close to air-conditioning outlets, fireplaces, heaters or humidifiers. Direct sunlight and ultraviolet rays will cause colors to fade, affect the luster and smoothness of the finish and in most cases may cause hairline cracks in the finish. White finishes will yellow naturally over time; exposure to direct sunlight will accelerate this natural process. Please note that all wood essences will darken over time along with the natural aging process which is not considered to be a quality defect.
- To clean the furniture, use a damp cloth immediately followed by wiping with a dry cloth. Do not allow water to stay in contact with the finish as it will damage the finish.
- If you need to put your furniture into storage for any period of time, avoid placing it in damp basements or hot attics. Air flow around and under the furniture should be allowed. Do not place furniture too close to walls, do not stack anything on it and do not cover it entirely.
- When using a vinyl changing pad or similar plastic accessories, make sure to use a fabric felt underneath. Certain plastics have ingredients that can react with and damage the finish. It is recommended to rotate the changing pad's position frequently to avoid finish discoloration.

Regular cleaning with mild soap on a soft cloth, followed by a clean damp cloth, then a dry cloth, will preserve the original luster and beauty of this fine finish of your Romina Furniture product.



Thank you for being one of our distinguished clients.

Romina[®]
furniture *Team*

Visit

www.rominakidsfurniture.com

for updates, special offers and more new designs.