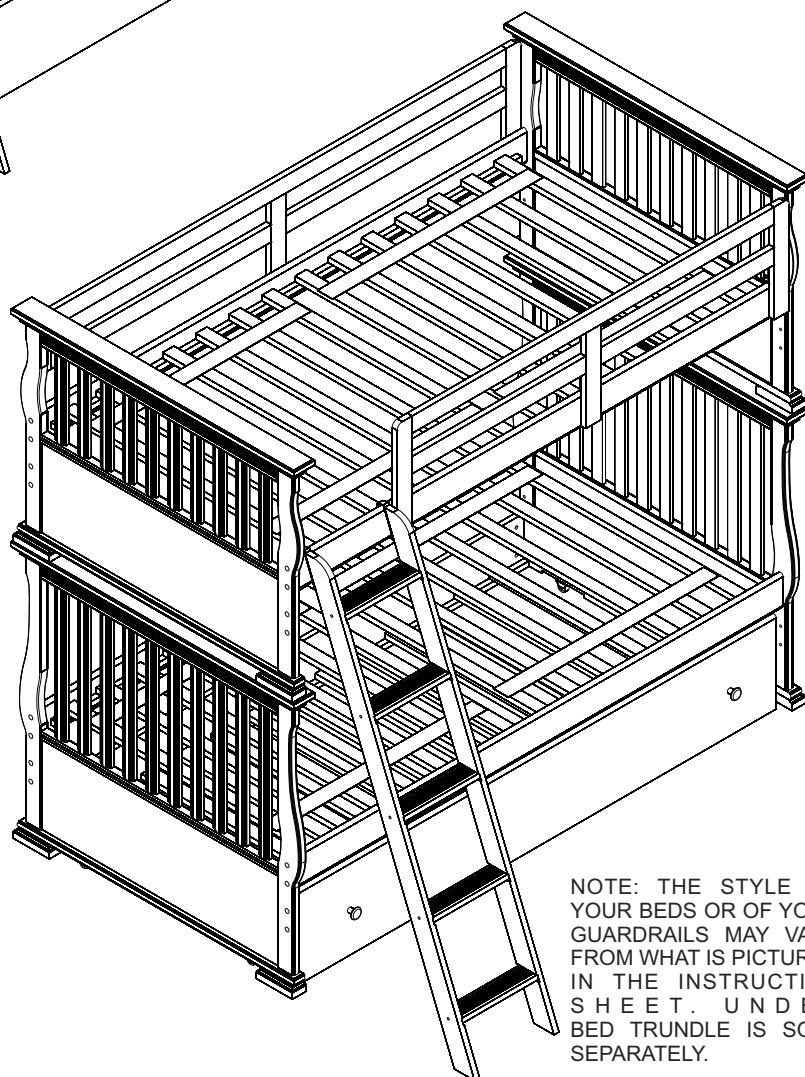
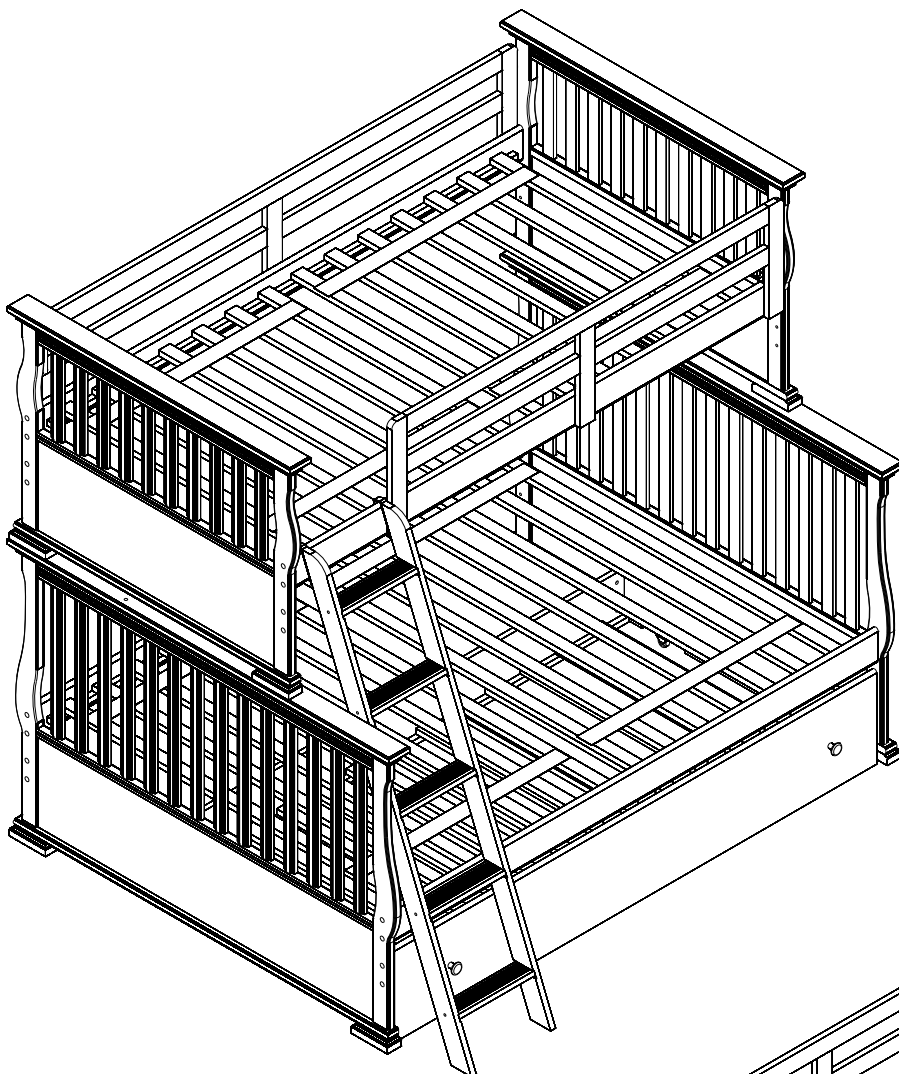


ASSEMBLY INSTRUCTIONS

FOR 315 TF & 315 TT BELLAIR BUNK BEDS



Romina[®]
Furniture

20 Corporation Row, Edison, NJ 08817
Phone (718) 478 5100, Fax (718) 478 5117
www.rominafurniture.com

NOTE: THE STYLE OF YOUR BEDS OR OF YOUR GUARDRAILS MAY VARY FROM WHAT IS PICTURED IN THE INSTRUCTION SHEET. UNDER BED TRUNDLE IS SOLD SEPARATELY.

IMPORTANT:
PLEASE, READ ALL INSTRUCTIONS BEFORE ASSEMBLING!
PLEASE, SAVE INSTRUCTIONS FOR FUTURE USE

 **WARNING!**

TO HELP PREVENT SERIOUS OR FATAL INJURIES FROM ENTRAPMENT OR FALLS:

- USE ONLY A TWIN SIZE MATTRESS ON UPPER BUNK, WITH A THICKNESS NOT EXCEEDING 8 1/4 IN.
- ALWAYS USE GUARDRAILS ON BOTH LONG SIDES OF UPPER BUNK.
- SURFACE OF MATTRESS MUST BE AT LEAST 5 IN. (127MM) BELOW THE UPPER EDGE OF GUARDRAILS.
- ALWAYS USE LADDER FOR ENTERING AND LEAVING UPPER BUNK.
- NEVER ALLOW A CHILD UNDER 6 YEARS ON UPPER BUNK.
- PROHIBIT HORSEPLAY AND JUMPING ON OR UNDER BED(S).
- PROHIBIT MORE THAN ONE PERSON ON UPPER BUNK.
- DO NOT USE THE UPPER BUNK IF THE GUARDRAILS AND THE LADDER ARE NOT PROPERLY ATTACHED AND FIXED IN THEIR PLACES.
- IF THE BUNK BED WILL BE PLACED NEXT TO A WALL, THE GUARDRAIL THAT RUNS THE FULL LENGTH OF THE BED SHOULD BE PLACED AGAINST THE WALL TO PREVENT ENTRAPMENT BETWEEN THE BED AND THE WALL.
- PERIODICALLY CHECK AND ENSURE THAT THE GUARDRAILS, LADDER AND OTHER COMPONENTS ARE IN THEIR PROPER POSITION, FREE FROM DAMAGE, AND THAT ALL CONNECTIONS ARE TIGHT.
- DO NOT SUBSTITUTE PARTS. PLEASE, CONTACT ROMINA FURNITURE DEALERS FOR REPLACEMENT PARTS.
- THE USE OF A NIGHT-LIGHT MAY PROVIDE ADDED SAFETY PRECAUTION FOR A CHILD USING THE UPPER BUNK.
- THE USE OF WATER OR SLEEP FLOTATION MATTRESSES IS PROHIBITED.
- PACKAGING MATERIAL, SMALL PARTS & PLASTIC BAGS ARE HAZARDOUS TO SMALL CHILDREN. PLEASE DISPOSE OF THEM IMMEDIATELY!
- REPLACEMENT PARTS, INCLUDING ADDITIONAL GUARDRAILS, MAY BE OBTAINED FROM ANY OF ROMINA FURNITURE DEALERS (SEE WWW.ROMINAFURNITURE.COM FOR DEALERS LIST)
- FOLLOW THE INFORMATION ON THE WARNINGS APPEARING ON THE UPPER BUNK END STRUCTURE AND ON THE CARTON. DO NOT REMOVE WARNING LABEL FROM BED.
- ALWAYS USE THE RECOMMENDED SIZE MATTRESS TO HELP PREVENT THE LIKELIHOOD OF ENTRAPMENT OR FALLS.
- STRANGULATION HAZARD** - NEVER ATTACH OR HANG ITEMS TO ANY PART OF THE BUNK BED THAT ARE NOT DESIGNED FOR USE WITH THE BED; FOR EXAMPLE, BUT NOT LIMITED TO, HOOKS, BELTS AND JUMP ROPES.

KEEP THESE INSTRUCTIONS FOR FUTURE REFERENCE!

Please locate and confirm you have the following parts:

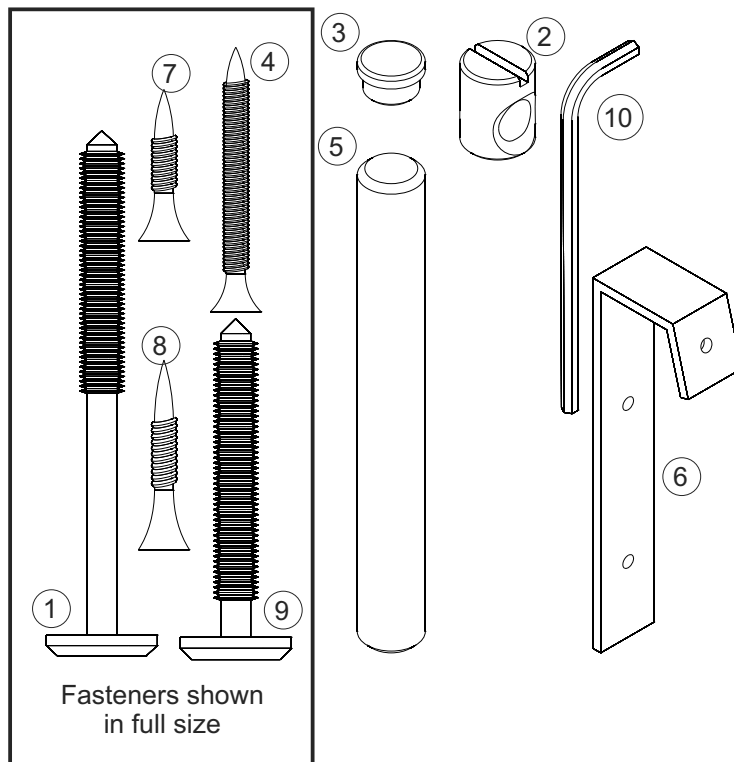
- A. larger end panels = 2
- B. smaller end panels = 2
- C. long bed rails = 4
- D. group of 7 support slats assembled with 2 textile ribbons = 4
- E. short guard rail = 1
- F. long guard rail = 1
- G. ladder stairs = 5
- H. ladder rails = 2

One bag of hardware with the following:

- 1. Allen bolts (70mm - 2 3/4") = 16
- 2. barrel nuts = 16
- 3. wooden plugs = 32
- 4. wood screw (35mm - 1 3/8") = 16
- 5. steel pins = 4
- 6. ladder hooks = 2
- 7. wood screw (20mm - 3/4") = 6
- 8. wood screw (25mm - 1") = 8
- 9. Allen bolts (40mm - 1 9/16") = 10
- 10. Allen wrench = 1

Required tools: Allen wrench (supplied), Phillips screwdriver, flat screwdriver, hammer

CAUTION: Do not use a power screwdriver which can cause screws to break or strip



STEP 1

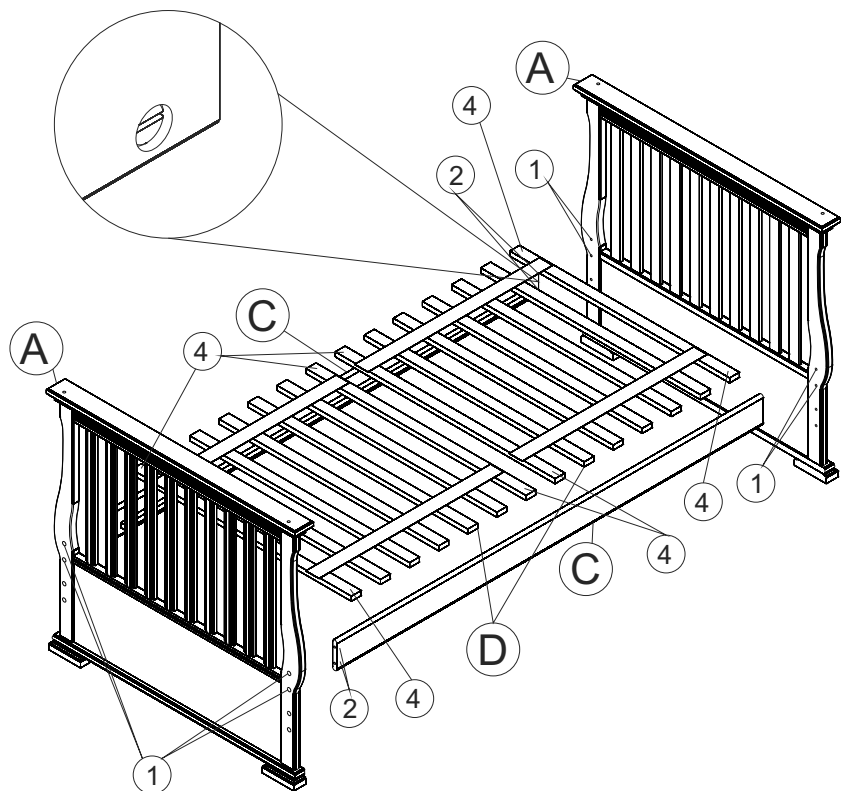
Assemble the bottom bed first using **2** larger end panels (**A**) and **2** long bed rails (**C**). Attach the long bed rails to the end pieces using **8** long Allen bolts (**1**) and **8** barrel nuts (**2**). You must use the two upper holes on each side of the larger panels.

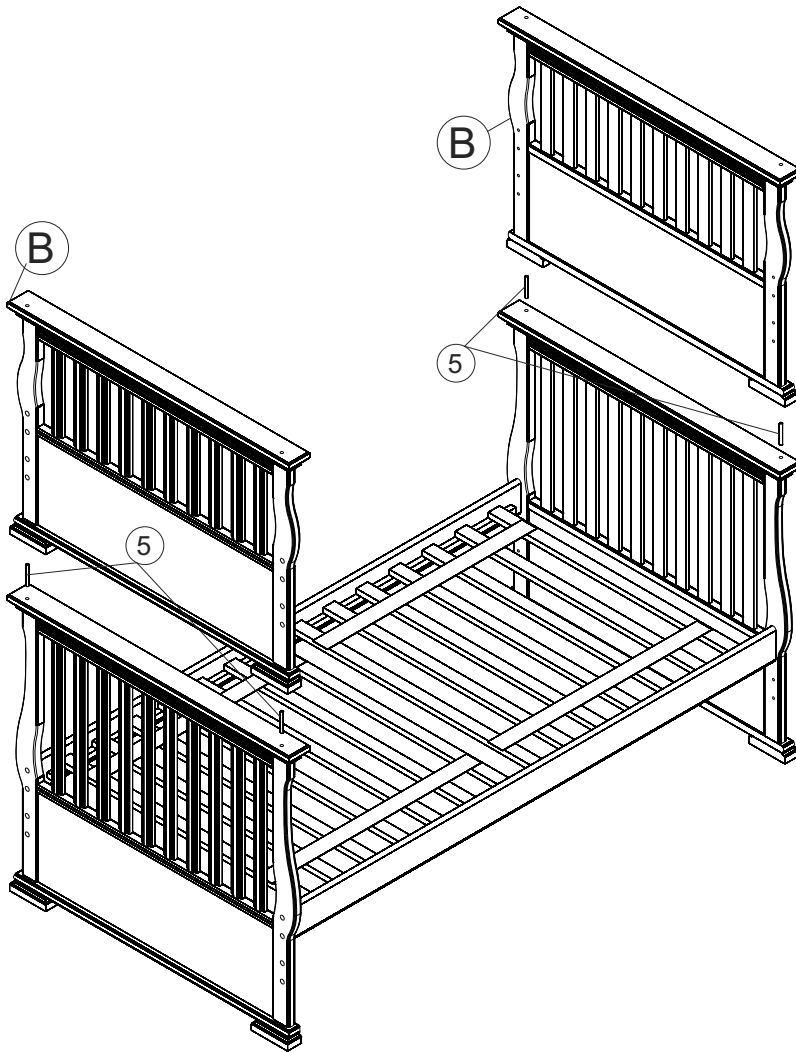
STEP 2

Align the straight slots in the head of the barrel nuts horizontally, so the threads in the bolt will insert in the barrel nut. You can adjust the position of the barrel nut with a flat head screwdriver (not supplied) or a coin. Push the Allen bolt through the end panel and into the long bed rail. Start the threads by hand to assure you don't strip the threads. Tighten all **8** bolts with the supplied Allen wrench. Gently tap **16** of the wooden plugs (**3**) in the holes to hide the screw heads.

STEP 3

Place **2** of the groups of 7 support slats (**D**) onto the wood brackets attached to the long bed rails. Make sure you firmly attach the support slats to the wood brackets with **8** of the longer wood screws (**4**) provided. Use a Phillips screwdriver to firmly tighten the screws. Make sure the slats are spaced **EVENLY** between the bed ends!





STEP 4

Place the 4 steel pins (5) in the holes provided in the top of each larger end panel. Stack the smaller end panels on the top of larger end panels by inserting the pins into the holes on the bottom of the smaller end panel (use hammer if required).

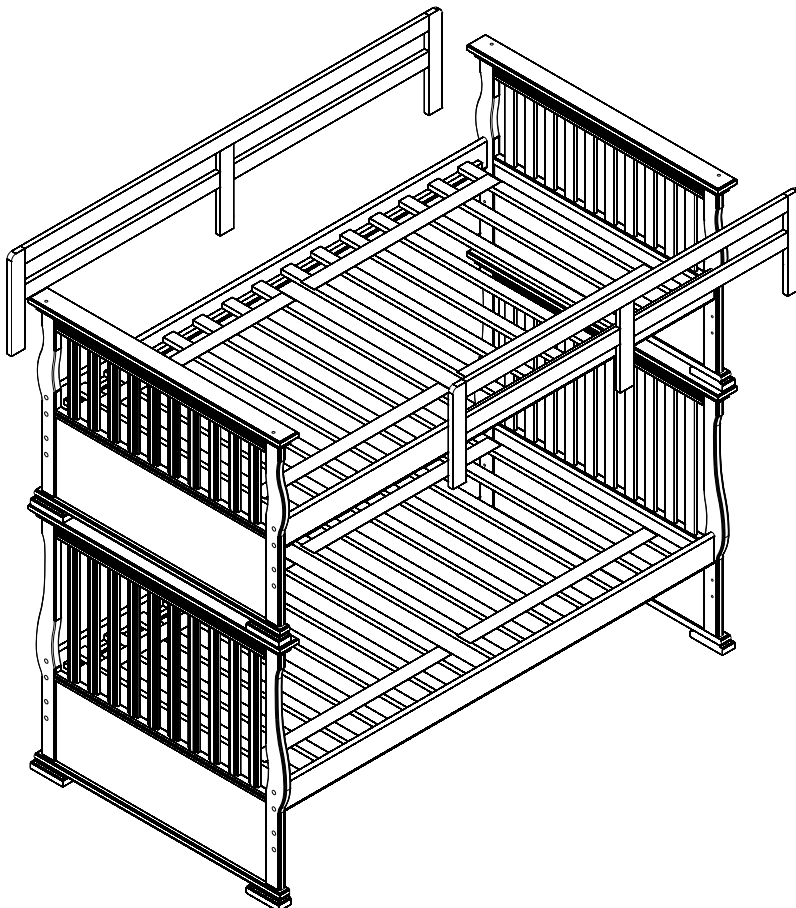
STEP 5

Assemble the upper bunk using the long bed rails, hardware and 2 of the groups of 7 support slats (D) as in steps 1, 2 and 3 described above.

If you have a helper, it may be easier to preassemble the upper bunk as in steps 1, 2 and 3 above. Then stack the entire upper bunk assembly on the lower bunk making sure the pins insert completely and the end pieces contact each other.

STEP 6

Install the guardrails on the upper bunk side rails. Make sure the longer guardrail is spaced **EVENLY** between the bed ends and the shorter guardrail is fixed against one of the upper bunk end panels, leaving room for the ladder in the desired side of the bed. Secure the guardrails with 8 wood screws (8). Use a Phillips screwdriver to firmly tighten the screws.



SAFETY WARNING!

IF THE BUNK BED WILL BE PLACED NEXT TO A WALL, THE LONGER GUARDRAIL SHOULD BE PLACED AGAINST THE WALL TO PREVENT ENTRAPMENT BETWEEN THE BED AND THE WALL.

STEP 7

Assemble the ladder stairs with ladder rails using the shorter Allen bolts (9) and Allen wrench (10). The rounded side of the ladder stair must be outside.

Fasten the two ladder hooks (6) to the ladder using 4 wood screws (7). Completely tighten with a Phillips screwdriver.

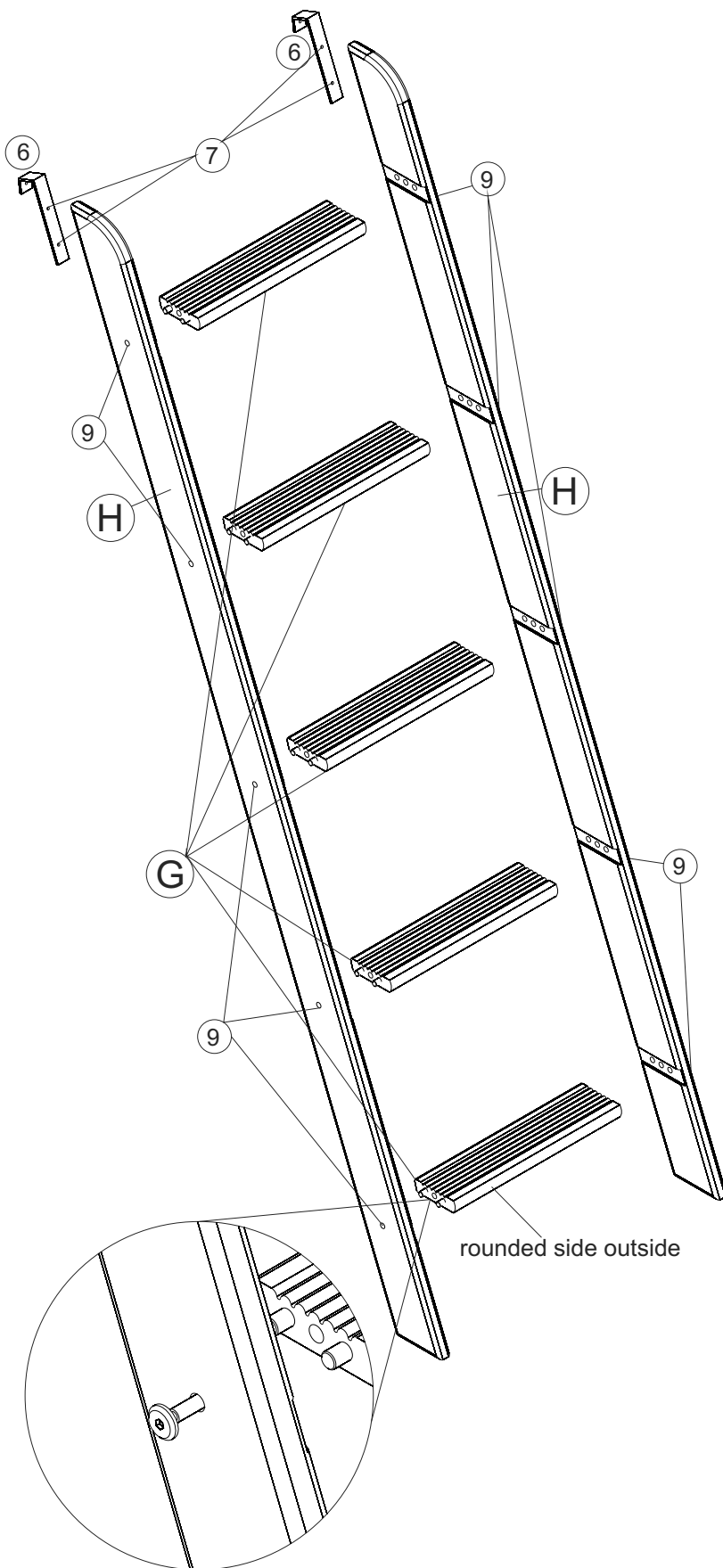
STEP 8

Attach the ladder at the desired end of the bed. Fasten the 2 ladder hooks (6) to the upper bed rail (C) with 2 wood screws (7). Completely tighten with a Phillips screwdriver.

STEP 9

Place your mattress on the slats.

WARNING! For maximum occupant safety on the upper bed use only a twin size mattress. Ensure thickness of mattress does not exceed 8 1/4". Make sure the surface of the upper bed mattress is at least 5" below the upper edge of the guardrails.



Regular cleaning with mild soap on a soft cloth, followed by a clean damp cloth, then a dry cloth, will preserve the original luster and beauty of the fine finish of your Romina Furniture product.

Thank you for being one of our distinguished clients.

Romina[®]
furniture
Team

Visit

www.rominafurniture.com

for updates, special offers and more new designs.

