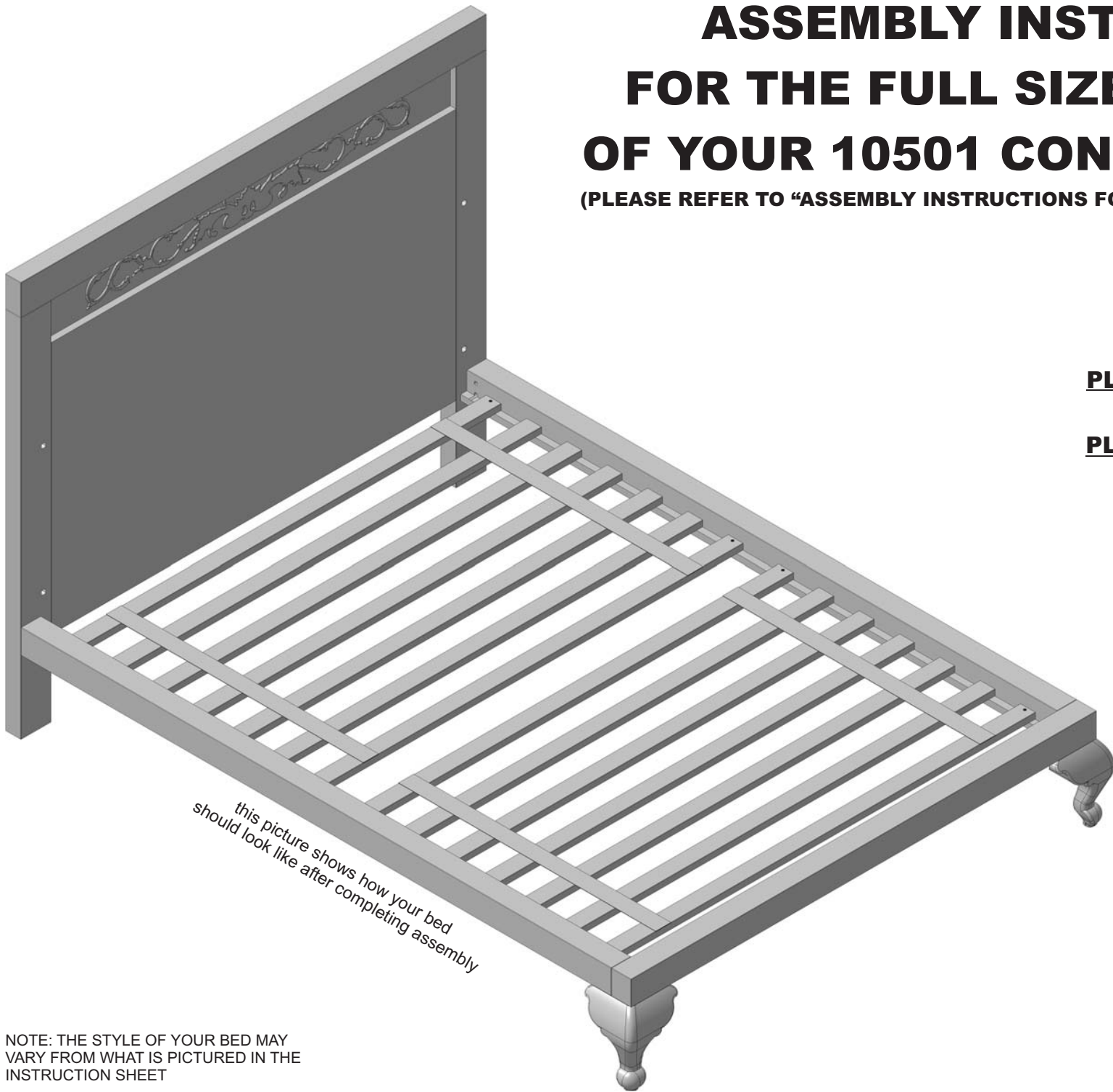


ASSEMBLY INSTRUCTIONS

FOR THE FULL SIZE BED OPTION

OF YOUR 10501 CONVERTIBLE CRIB

(PLEASE REFER TO "ASSEMBLY INSTRUCTIONS FOR YOUR 10501 CONVERTIBLE CRIB")



this picture shows how your bed
should look like after completing assembly

IMPORTANT:
PLEASE, READ ALL INSTRUCTIONS
BEFORE ASSEMBLING!
PLEASE, SAVE INSTRUCTIONS FOR
FUTURE USE.
DO NOT THROW OUT THIS
INSTRUCTION BOOKLET!

NOTE: THE STYLE OF YOUR BED MAY
VARY FROM WHAT IS PICTURED IN THE
INSTRUCTION SHEET

Romina®
Furniture

20 Corporation Row, Edison, NJ 08817
Phone (718) 478 5100, Fax (718) 478 5117
www.rominafurniture.com

Please locate and confirm that you have the following parts:

- BR. bed rails = 2
- FR. front rail = 1
- SL. group of support slats assembled with textile ribbons = 2

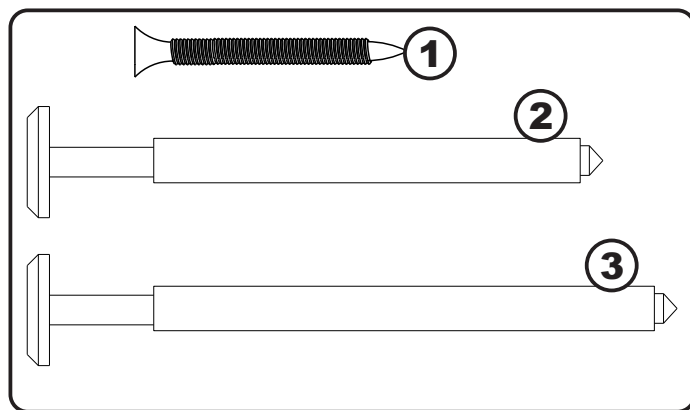
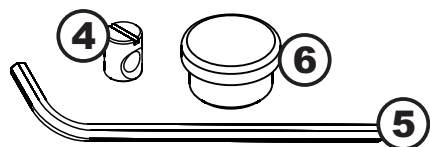
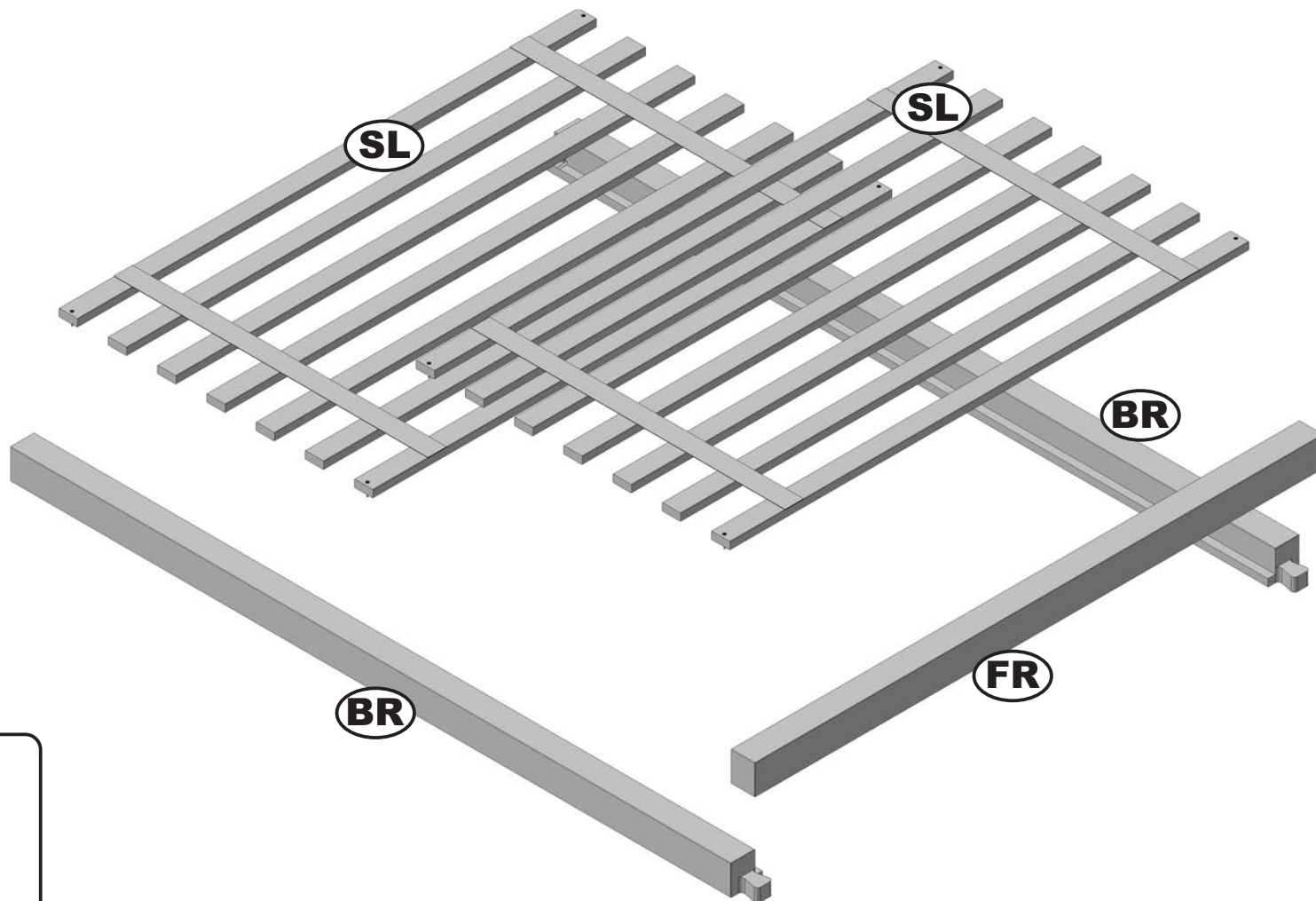
and one bag of hardware with the following:

- 1. wood screw (35mm - 1 3/8") = 8
- 2. Allen bolts (70mm - 2 3/4") = 4
- 3. Allen bolts (80mm - 3 1/8") = 4
- 4. barrel nuts = 4
- 5. Allen wrench = 1
- 6. wooden cap = 4

Required tools: Allen wrench (supplied), Phillips screwdriver (not supplied), flat head screwdriver (not supplied).

CAUTION: Do not use a power screwdriver which can cause screws to break or strip. Be sure to **COMPLETELY TIGHTEN** the screws / bolts when you are asked to do so.

Note: The letters which identifies a part are the initials of the respective part name (such method is employed to facilitate parts recognition between the drawings and the parts list).



STEP 1 (Two adults are required to complete this step)

Completely disassemble your crib, taking care not to scratch the wood finish. (please refer to “**ASSEMBLY INSTRUCTIONS FOR YOUR 10501 CONVERTIBLE CRIB**”).

Keep the headboard (**HB**) and the decorative legs (**DL**) for the next step and carefully store the other resulted wooden pieces and hardware in a proper place, away from direct sunlight and moisture, taking care not to scratch the wood finish.

STEP 2 (Two adults are required to complete this step)

Join the front rail (**FR**) and the bed rails (**BR**) then attach the decorative legs (**DL**) at the corners of the “U” shaped resulted assembly using all four smaller Allen bolts (**2**) and the Allen key.

Attach the bed rails (**BR**) to the headboard (**HB**) using all four bigger Allen bolts (**3**) and all four barrel nuts (**4**).

Align the straight slots in the head of the barrel nuts horizontally, so the threads in the bolts will insert in the barrel nuts. You can adjust the position of the barrel nut with a flat head screwdriver (not supplied).

Push the Allen bolts through the headboard and into the bed rail. Start the threads by hand to assure you don't strip the threads, then, use the supplied Allen key.

Completely tighten all eight Allen bolts used before.

STEP 3 (Two adults are required to complete this step)

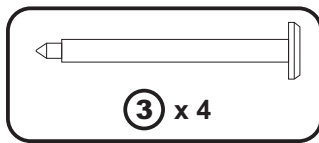
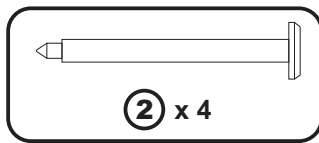
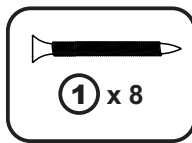
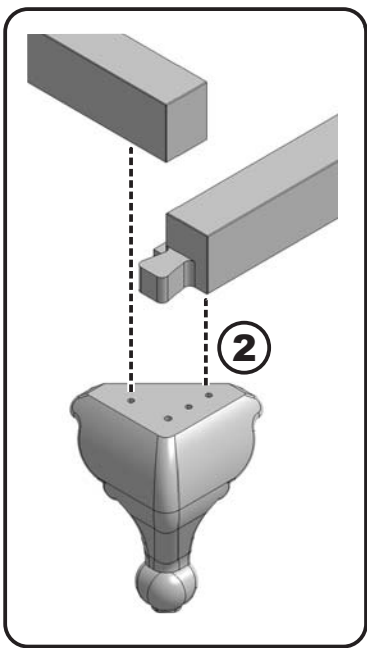
Place the support slats (**SL**) onto the inner brackets of the bed rails. Position the support slats evenly between the bed ends. Make sure you firmly attach the support slats to the wood brackets using all eight wood screws (**1**) provided. Use a Phillips screwdriver (not supplied) to completely tighten the screws.

Use the wooden caps (**5**) to cover the four holes from the upper part of headboard.

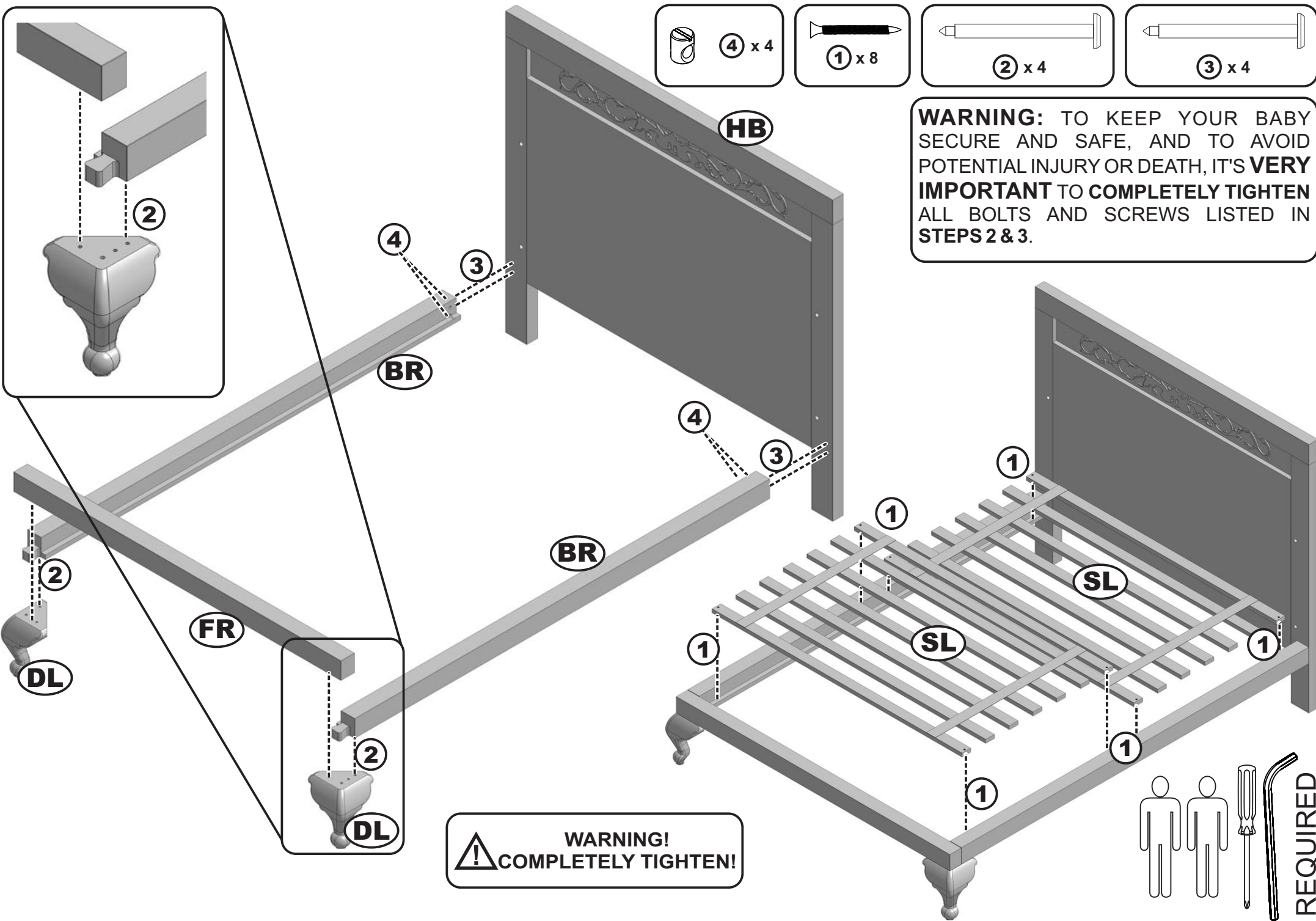
After completing **STEP 3**, your bed should look like the one depicted on the first page of this instruction booklet.

Regular cleaning with mild soap on a soft cloth, followed by a clean damp cloth, then a dry cloth, will preserve the original luster and beauty of the fine finish of your Romina Furniture product.

Visit
www.rominafurniture.com
for updates, special offers and more new designs.



WARNING: TO KEEP YOUR BABY SECURE AND SAFE, AND TO AVOID POTENTIAL INJURY OR DEATH, IT'S **VERY IMPORTANT** TO **COMPLETELY TIGHTEN** ALL BOLTS AND SCREWS LISTED IN STEPS 2 & 3.



WARNING!
COMPLETELY TIGHTEN!

